

Department of Engineering  
Tim Bryan, P.E., County Engineer

3137 South Liberty Street, Canton, MS 39046  
Office (601) 790-2525 FAX (601) 859-3430

MEMORANDUM

June 20, 2023

To: Sheila Jones, Supervisor, District I  
Trey Baxter, Supervisor, District II  
Gerald Steen, Supervisor, District III  
Karl Banks, Supervisor, District IV  
Paul Griffin, Supervisor, District V

From: Tim Bryan, P.E., PTOE  
County Engineer

Re: Comcast Cable Utility Permit  
County Road Name, Sulphur Springs Road, Lottville Road, Burns Lane and Culipher Lane

The Engineering Department recommends approval of the permit application for Comcast Cable is attaching 48 CT and 24 CT fiber to existing poles, boring and installing 2" HDPE to pull 48 CT and 24 CT fiber within the right-of-way owned by the County including the listed roads below.

- Sulphur Springs Road
- Lottville Road
- Burns Lane
- Culipher Lane

Revised: 2/14/2019



**PERMIT APPLICATION FOR THE CONSTRUCTION OR ADJUSTMENT OF A UTILITY WITHIN COUNTY ROAD RIGHT-OF-WAY**

Utility Information: Utility Name: COMCAST CABLE

Address: 3425 Malone Drive City/State/Zip: Chamblee/ GA/ 30-341

Contact Person: Linda Taibl Contact's Phone: \_\_\_\_\_

Project Information: County Road Name: \_\_\_\_\_

(If located within more than one road right-of-way, use Appendix 1 for additional descriptions)

Beginning Location: 32.700322, -89.832055 Ending Location: 32.720016, -89.800734

Length of Project: 18 521 FT Section: 34 Township: 3 Range: 69

Description of Work: COMCAST IS ATTACHING 48CT AND 24 CT FIBER TO EXISTING POLES, BORING AND INSTALLING 2" HDPE TO PULL 48CT AND 24CT FIBER WITHIN THE RIGHT-OF-WAY OWNED BY THE COUNTY.

**TOTAL INSTALLATION LENGTH IN ROW: 18 521 FT**

Check Box if Appendix 1 is to be included as a part of this Application

Whereas the above stated Utility makes application to the **Madison County Board of Supervisors** for a Construction Permit. Attached hereto are drawings and plans for the construction of the above facilities located within Madison County owned public rights-of-way. Once stamped by the Madison County Engineering Department, these plans shall not be changed or altered without written approval of the County Engineer, or his representative. A copy of the approved permit and plans shall be on-site at all times during construction.

The Applicant Utility shall comply with all policies, procedures and construction practices as outlined in *A Policy for The Accommodation of Utility Facilities within the Right-of-Way of all Public County Roads* (hereinafter referred to as the "Policy"), as adopted on November 1, 2005, by the **Madison County Board of Supervisors**, and which is hereby made a part of this Application Agreement.

If facilities are to be located within the Rights-of-Way of the County-Federal or State Aid System, Applicant Utility also agrees to comply with applicable provisions of *S.O.P. No. SA II-2-8, Accommodation of Utilities on Rights-of-Way*, issued by the State Aid Engineer and dated July 1, 2005.

The Applicant Utility understands and agrees that, except as herein granted, no right, title, claim, or easement to said road right-of-way is granted by the issuance of this permit. If this Utility is listed in the general provisions of the Policy, it will be adjusted to comply with same without cost to the County, unless the variance from the Policy has been approved by the granting of the Permit pursuant to this Application.

The Applicant Utility further understands that the Utility's engineering, plant, or other personnel will be responsible for the staking and construction supervision of the work set out above and as shown on the attached plans. If work impacts traffic in any way, the appropriate traffic control shall be installed per the *Manual of Uniform Traffic Control Devices*, Latest Edition.

The Applicant Utility understands that the County Engineer, or his representative, may issue a Stop Work Order at any time if it is deemed that site conditions are not suitable for construction or if any of the requirements of this permit are not being met.

Many County Roads have variable Rights-of-Way and/or no Right-of-Way at all and are maintained under a Prescriptive Easement. It is the sole responsibility of the Applicant Utility to verify the existence and limits of public rights-of-way. If none exists, it is the

responsibility of the Applicant Utility to acquire an easement for their Facilities from the applicable property owner(s). Madison County in no way verifies the limits of Right-of-Way as shown on the permit application.

The Applicant Utility shall be responsible for all future maintenance and repair of the facilities installed under this permit. The Applicant Utility shall make future adjustments to, or relocate, the facilities located within road or highway right-of-way when required for road or highway widening or other road or highway construction at no cost to Madison County. The Applicant Utility shall relocate said utilities within sixty (60) days of notification by County by registered mail, return receipt requested, unless otherwise designated by the County Engineer. Further, any maintenance, repair, or construction shall be done in such a manner as to occasion no unreasonable interference with the normal flow and safety to traffic and at the expense of the utility company. When reasonable care has been taken to locate said utility facilities within the right-of-way, the Applicant Utility understands that any damages caused by routine maintenance and construction by County forces shall be borne by the Applicant Utility.

The Applicant Utility further agrees to indemnify and hold Madison County harmless for any and all claims, accidents, damages, liabilities and expenses occasioned wholly, or in part, by any act or omission of applicant, its agents or employees. In case County shall, without fault on its own part, be made a party to any litigation commenced by or against applicant, then applicant shall protect and hold County harmless, and shall pay all costs, expenses and reasonable attorney's fees incurred or paid by County in connection with said litigation.

All underground facilities shall be installed at a depth equal to or greater than 48" below the lowest adjacent grade.

All pipes carrying liquid shall be encased under County maintained roads.

WITNESS the signature of the Applicant this the 19 day of 06, 2023.

By: Linda Taibl  
(Applicant Signature)

Title: Construction specialist

**Note:** Applicant must be an employee of the Utility named in this application. The Madison County Board of Supervisors will not recognize a Contractor, Subcontractor, Agent, or Consulting Engineer as the Applicant. Utility Company shall be fully responsible for all work performed under this application.

I, or my authorized representative, have reviewed this application and determined that the drawing, sketches, and plans submitted by the Applicant meet the requirements of A Policy for The Accommodation of Utility Facilities within the Right-of-Way of all Public County Roads.

**APPROVED**

By: **By timothy.bryan at 12:42 pm, Jun 27, 2023**

Tim Bryan, P.E.  
County Engineer **BT**

AGREED TO AND APPROVED BY:

\_\_\_\_\_  
Madison County Board President

Date: \_\_\_\_\_

ENTERED INTO THE MINUTES OF THE BOARD OF SUPERVISORS OF MADISON COUNTY, MISSISSIPPI ON THIS

\_\_\_\_\_ DAY OF \_\_\_\_\_, 20\_\_\_\_\_.

Appendix 1

County Road Name: SULPHUR SPRINGS RD  
Beginning Location: 32.700322, -89.832055 Ending Location: 32.719913, -89.800672  
Length of Project: 10 076 FT Section: 34 Township: 3 Range: 69  
Description of Work: ATTACH 48CT AND 24 CT FIBER TO EXISTING POLES, BORE AND  
INSTALL 2" HDPE TO PULL 48CT AND 24CT FIBER WITHIN THE SULPHUR SPRINGS RD RIGHT-OF-WAY

County Road Name: LOTTVILLE RD  
Beginning Location: 32.703262, -89.825855 Ending Location: 32.692196, -89.826995  
Length of Project: 4 624 FT Section: 34 Township: 3 Range: 69  
Description of Work: ATTACH 48CT FIBER TO EXISTING POLES, BORE AND  
INSTALL 2" HDPE TO PULL 48CT FIBER WITHIN THE LOTTVILLE RD RIGHT-OF-WAY

County Road Name: BURNS LN  
Beginning Location: 32.712749, -89.813248 Ending Location: 32.706329, -89.811924  
Length of Project: 2 526 FT Section: 34 Township: 3 Range: 69  
Description of Work: BORE AND INSTALL 2" HDPE TO PULL 24CT FIBER WITHIN THE BURNS LN RIGHT-OF-WAY

County Road Name: CULIPHER LN  
Beginning Location: 32.715418, -89.807666 Ending Location: 32.712493, -89.806505  
Length of Project: 1 295 FT Section: 34 Township: 3 Range: 69  
Description of Work: BORE AND INSTALL 2" HDPE TO PULL 24CT FIBER WITHIN THE CULIPHER LN RIGHT-OF-WAY

County Road Name: \_\_\_\_\_  
Beginning Location: \_\_\_\_\_ Ending Location: \_\_\_\_\_  
Length of Project: \_\_\_\_\_ Section: \_\_\_\_\_ Township: \_\_\_\_\_ Range: \_\_\_\_\_  
Description of Work: \_\_\_\_\_



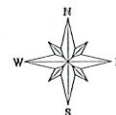
PREPARED BY:

COMCAST IS ATTACHING FIBER TO EXISTING  
 POLES, BORING AND INSTALLING NEW CONDUIT WITHIN  
 THE RIGHT-OF-WAY OWNED BY THE COUNTY.  
 TOTAL: 18521ft

ENGINEERED FOR:

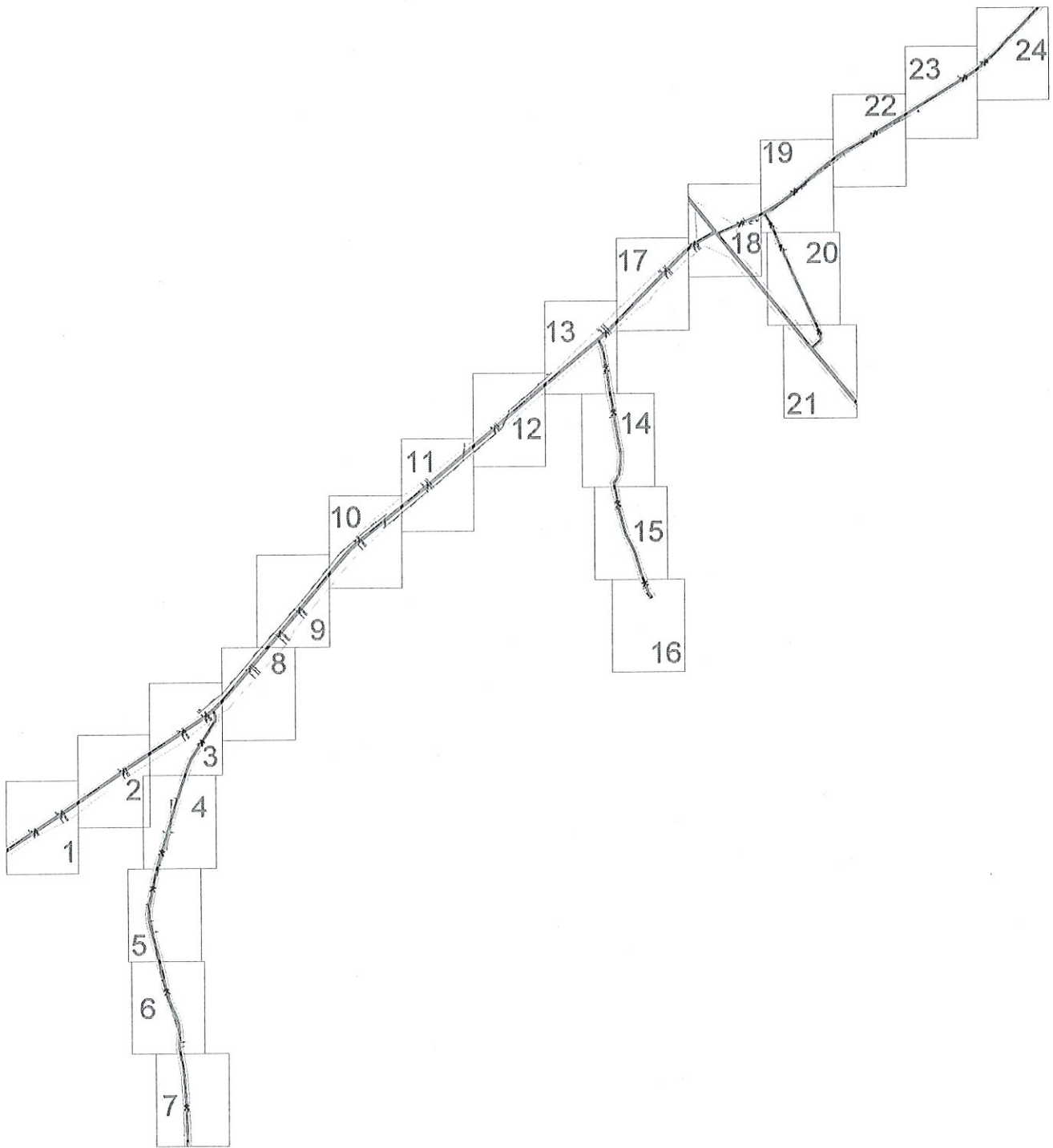


QUASAR, INC.



NO SCALE

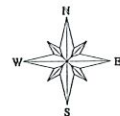




PREPARED BY:



COMCAST IS ATTACHING FIBER TO EXISTING  
 POLES, BORING AND INSTALLING NEW CONDUIT WITHIN  
 THE RIGHT-OF-WAY OWNED BY THE COUNTY.  
 TOTAL: 18521ft



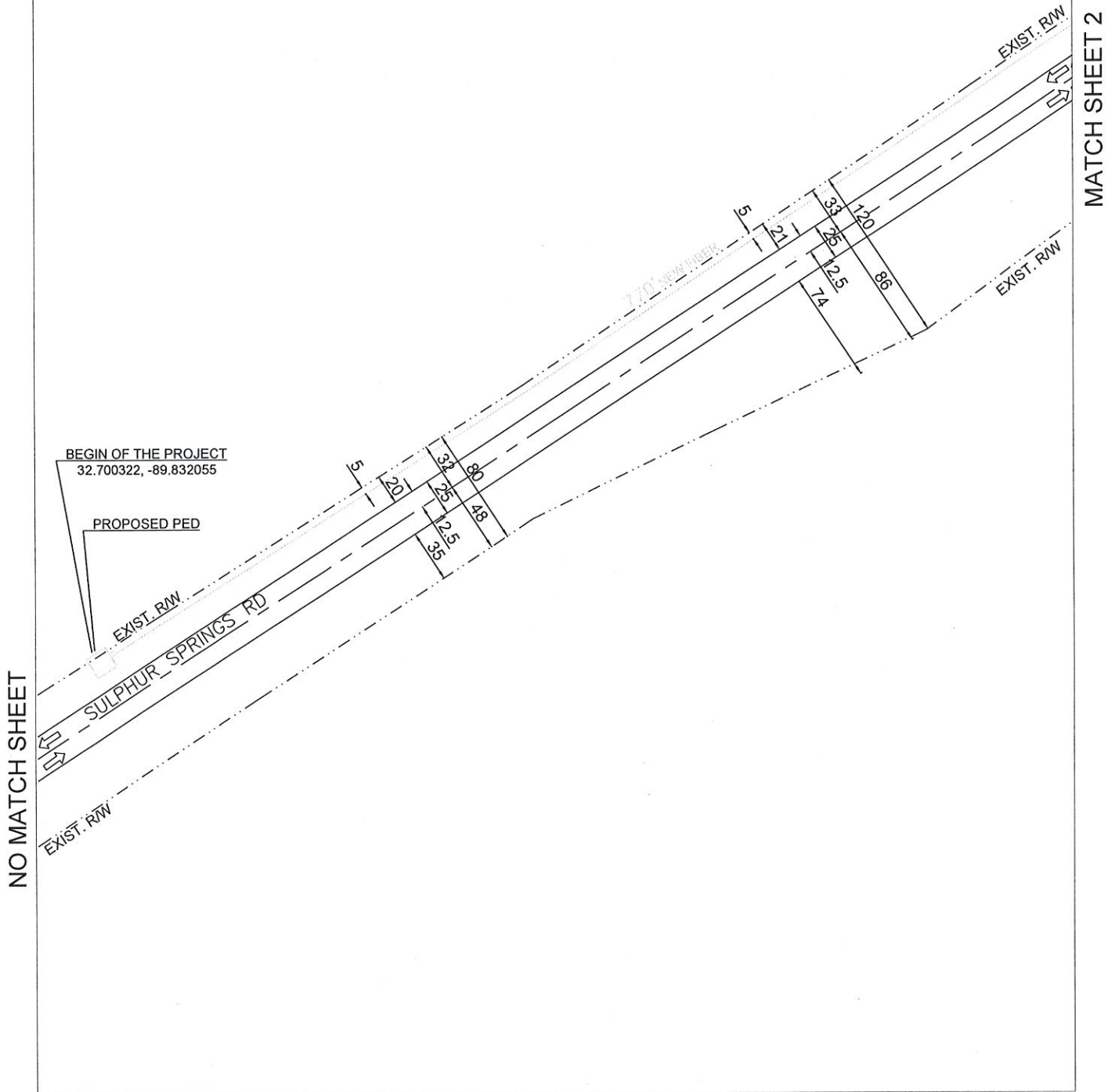
ENGINEERED FOR:



NO SCALE

NO MATCH SHEET

PROPOSED COMCAST UNDERGROUND  
 DIRECTIONAL BORE  
 4' MINIMUM DEPTH AT ALL POINTS  
 1 24CT FIBER CABLE  
 NO OTHER BURIED UTILITIES EXIST  
 INSTALLATION LENGHT IN RW ON THIS SHEET 770 FT



NO MATCH SHEET

MATCH SHEET 2

NO MATCH SHEET

PREPARED BY:  	EXISTING POLE PROPOSED PEDESTAL PROPOSED VAULT WATER VALVE FIBER MARKER GAS MARKER MANHOLE SEWER MAIN/HOLE STORM DRAIN	RIGHT OF WAY LINE IRRIGATION LINE WATER LANE GAS LANE PROPOSED ANCHOR PROPOSED RISER	PROPOSED COAXIAL CABLE PROPOSED FIBER CABLE PROPOSED DIRECTIONAL BORE EXISTING CABLE COUNTY LINE		ENGINEERED FOR:  	MADISON COUNTY SULPHUR SPRINGS RD TRANSPORT FIBER
	LEGEND: RW - RIGHT OF WAY EOP - EDGE OF PAVEMENT D/W - DRIVEWAY PDW - PAVED DRIVEWAY	NOTES: BORE HOLE TO BE FILLED SAME DAY VAULT HOLE TO BE FILLED SAME DAY ALL HOLE TO BE TAMPED AND SODDED	NO SCALE SHEET 1 OF 24			





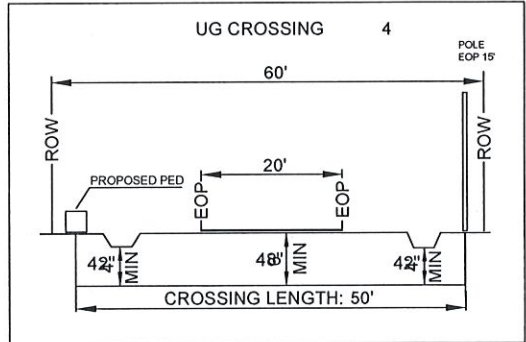
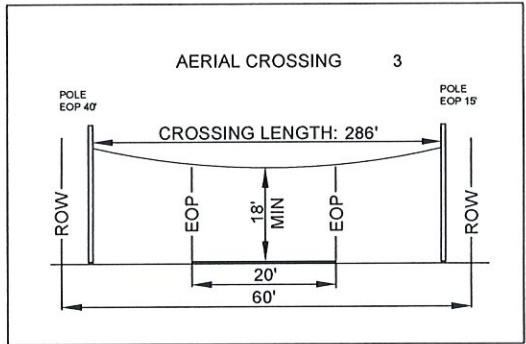
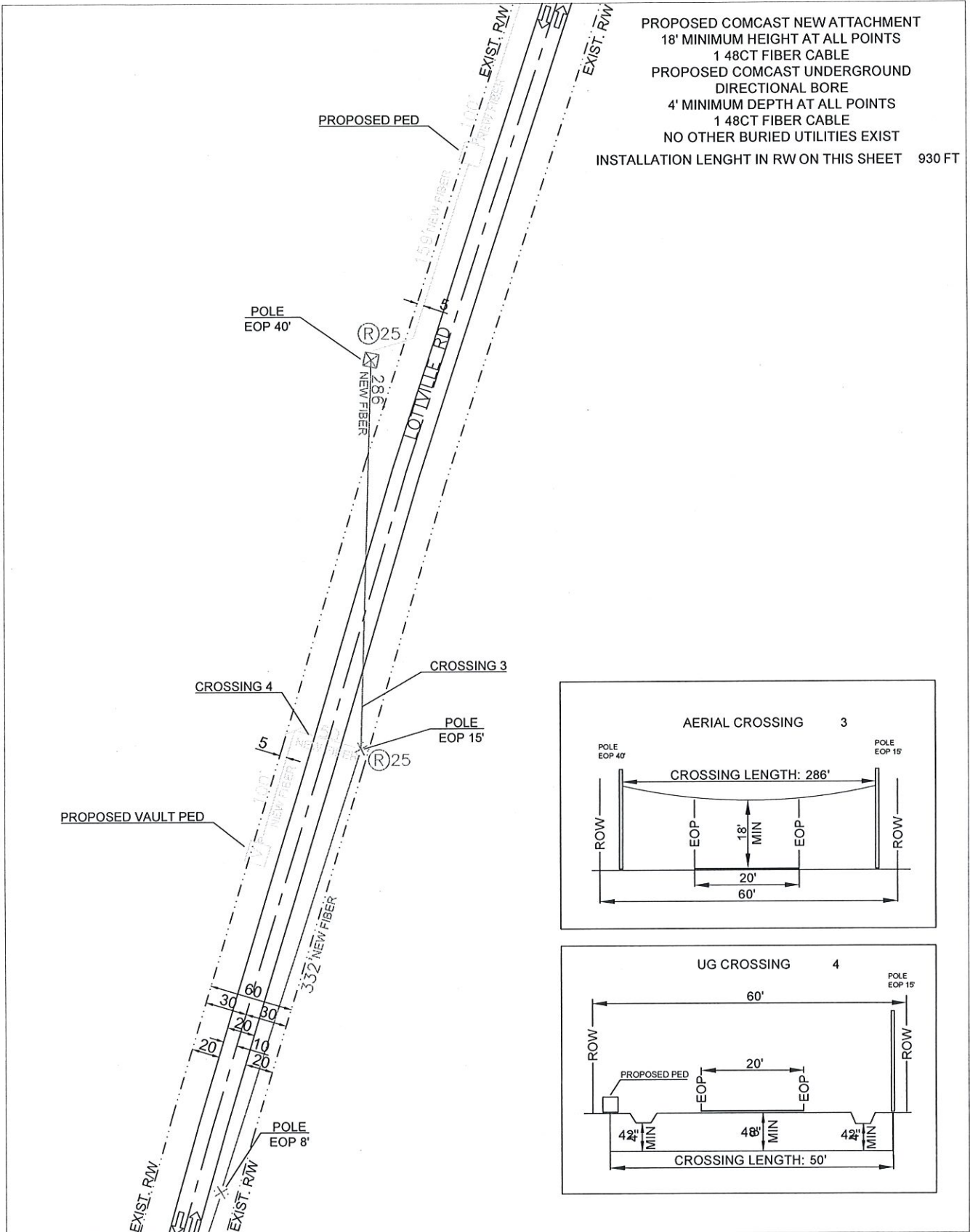


# MATCH SHEET 3

PROPOSED COMCAST NEW ATTACHMENT  
 18' MINIMUM HEIGHT AT ALL POINTS  
 1 48CT FIBER CABLE  
 PROPOSED COMCAST UNDERGROUND  
 DIRECTIONAL BORE  
 4' MINIMUM DEPTH AT ALL POINTS  
 1 48CT FIBER CABLE  
 NO OTHER BURIED UTILITIES EXIST  
 INSTALLATION LENGTH IN RW ON THIS SHEET 930 FT

NO MATCH SHEET

NO MATCH SHEET



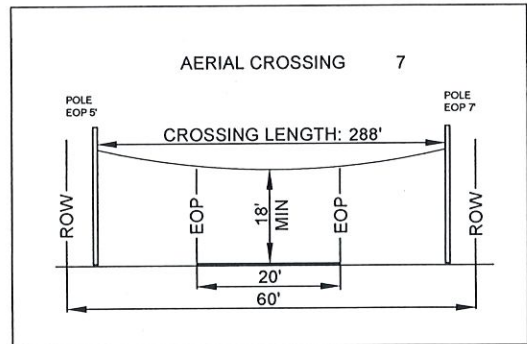
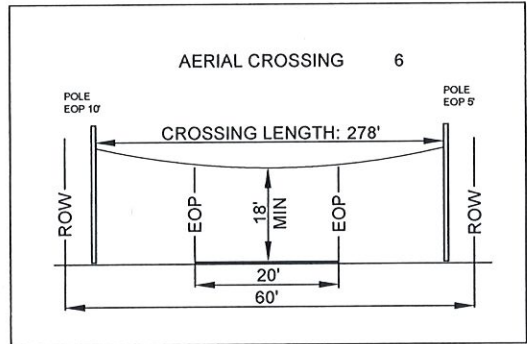
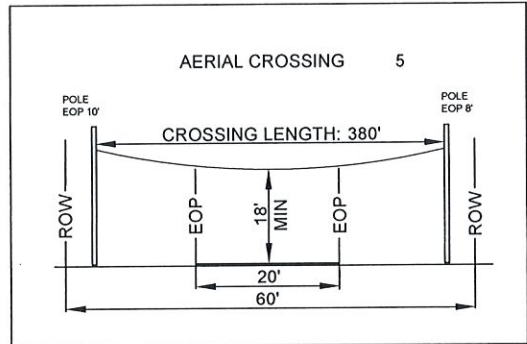
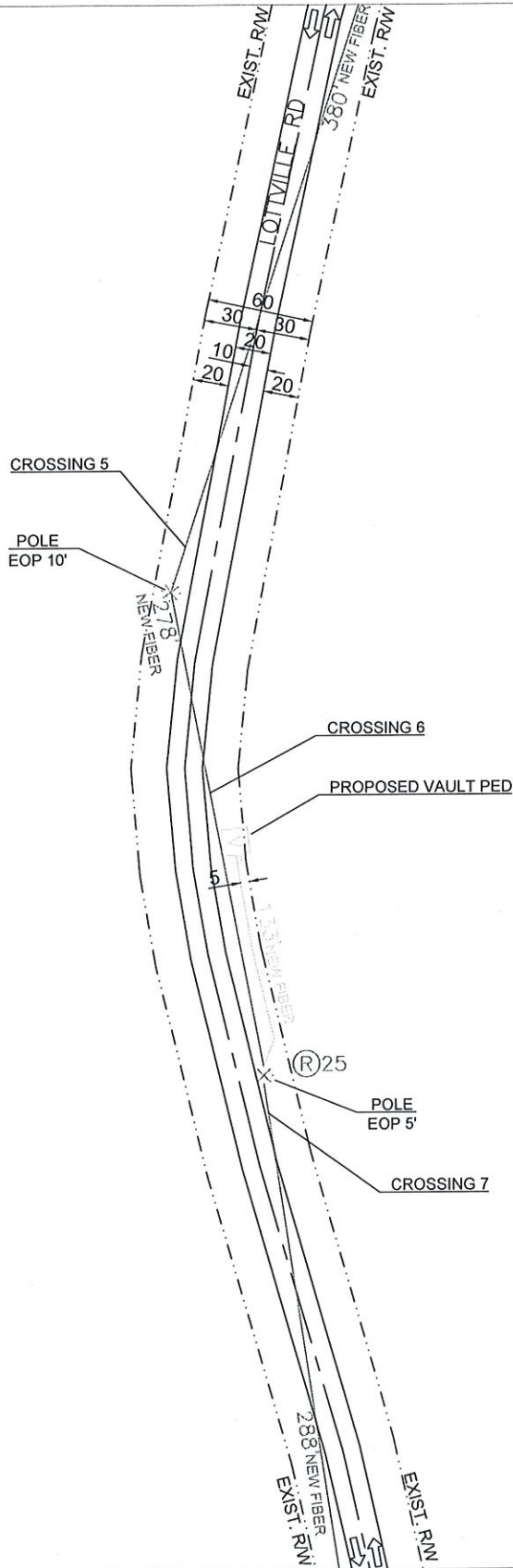
# MATCH SHEET 5

PREPARED BY:  	EXISTING POLE PROPOSED PEDESTAL PROPOSED VAULT WATER VALVE FIBER MARKER GAS MARKER MANHOLE SEWER MANHOLE STORM DRAIN	RIGHT OF WAY LINE IRRIGATION LINE WATER LANE GAS LANE PROPOSED ANCHOR PROPOSED RISER	PROPOSED COAXIAL CABLE PROPOSED FIBER CABLE PROPOSED DIRECTIONAL BORE EXISTING CABLE COUNTY LINE		ENGINEERED FOR: MADISON COUNTY LOTTVILLE RD TRANSPORT FIBER		NO SCALE	SHEET 4 OF 24
	LEGEND: RW - RIGHT OF WAY EOP - EDGE OF PAVEMENT DW - DRIVEWAY PDW - PAVED DRIVEWAY	NOTES: BORE HOLE TO BE FILLED SAME DAY VAULT HOLE TO BE FILLED SAME DAY ALL HOLE TO BE TAMPED AND SODDED						

MATCH SHEET 4

PROPOSED COMCAST NEW ATTACHMENT  
 18' MINIMUM HEIGHT AT ALL POINTS  
 1 48CT FIBER CABLE  
 PROPOSED COMCAST UNDERGROUND  
 DIRECTIONAL BORE  
 4' MINIMUM DEPTH AT ALL POINTS  
 1 48CT FIBER CABLE  
 NO OTHER BURIED UTILITIES EXIST  
 INSTALLATION LENGHT IN RW ON THIS SHEET 1079 FT

NO MATCH SHEET



NO MATCH SHEET

MATCH SHEET 6

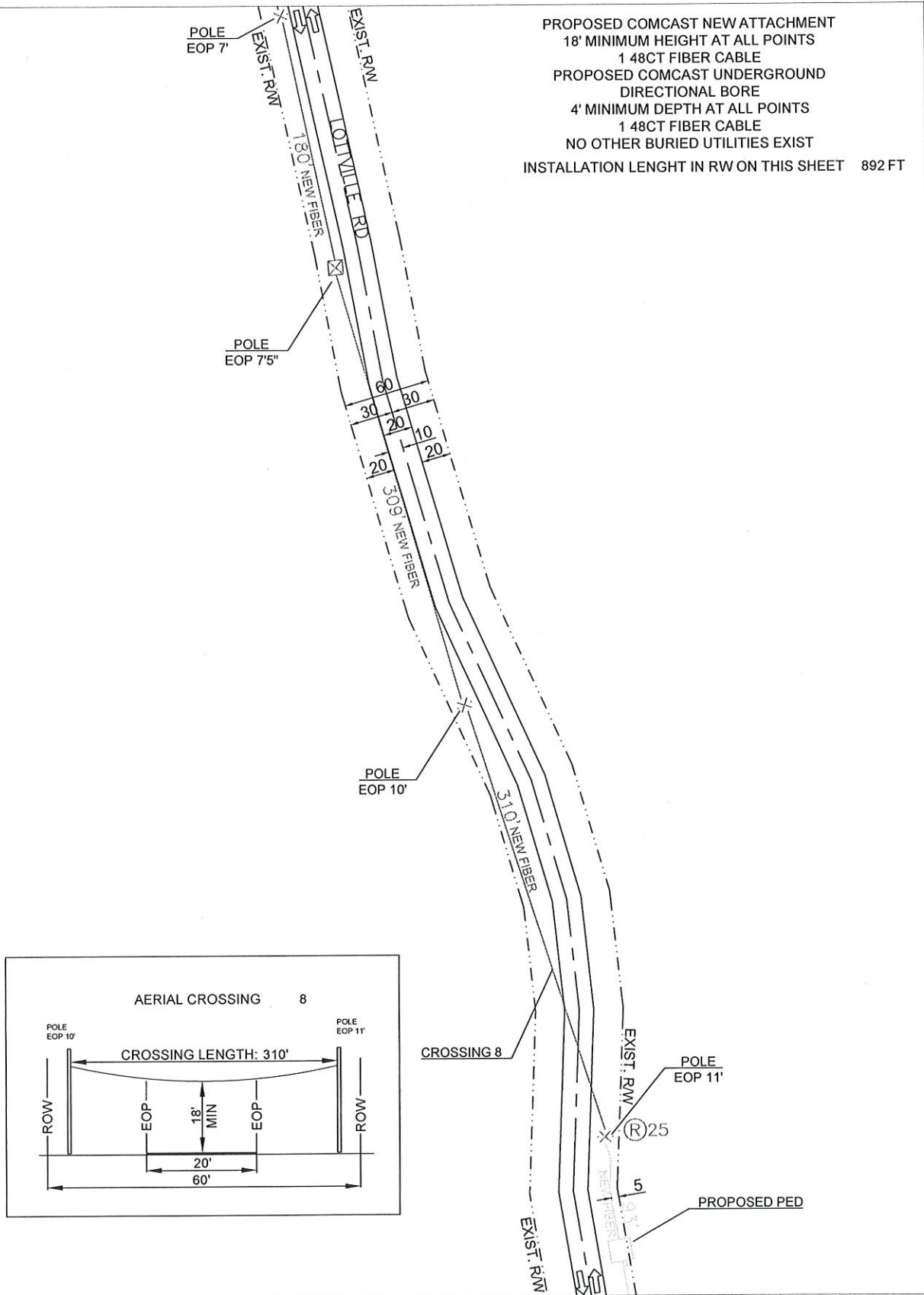
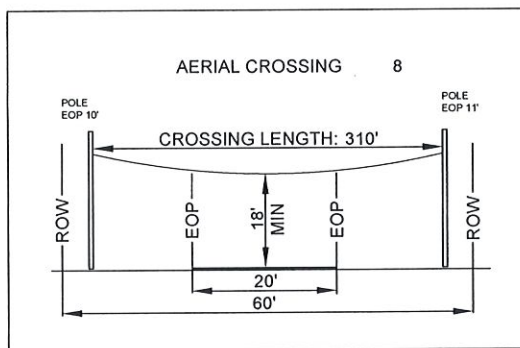
PREPARED BY:  	EXISTING POLE PROPOSED PEDESTAL PROPOSED VAULT WATER VALVE FIBER MARKER GAS MARKER MANHOLE SEWER MANHOLE STORM DRAIN	RIGHT OF WAY LINE IRRIGATION LINE WATER LAINE GAS LAINE PROPOSED ANCHOR PROPOSED RISER	PROPOSED COAXIAL CABLE PROPOSED FIBER CABLE PROPOSED DIRECTIONAL BORE EXISTING CABLE COUNTY LINE		ENGINEERED FOR:  	MADISON COUNTY LOTTVILLE RD TRANSPORT FIBER
	LEGEND: RW - RIGHT OF WAY EOP - EDGE OF PAVEMENT DW - DRIVEWAY POW - PAVED DRIVEWAY	NOTES: BORE HOLE TO BE FILLED SAME DAY VAULT HOLE TO BE FILLED SAME DAY ALL HOLE TO BE TAMPED AND SODDED	NO SCALE		SHEET 5 OF 24	

MATCH SHEET 5

PROPOSED COMCAST NEW ATTACHMENT  
 18' MINIMUM HEIGHT AT ALL POINTS  
 1 48CT FIBER CABLE  
 PROPOSED COMCAST UNDERGROUND  
 DIRECTIONAL BORE  
 4' MINIMUM DEPTH AT ALL POINTS  
 1 48CT FIBER CABLE  
 NO OTHER BURIED UTILITIES EXIST  
 INSTALLATION LENGHT IN RW ON THIS SHEET 892 FT

NO MATCH SHEET

NO MATCH SHEET



MATCH SHEET 7

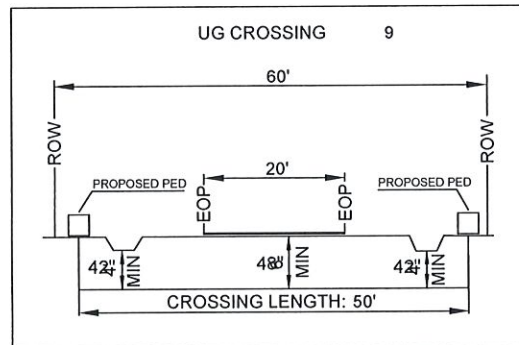
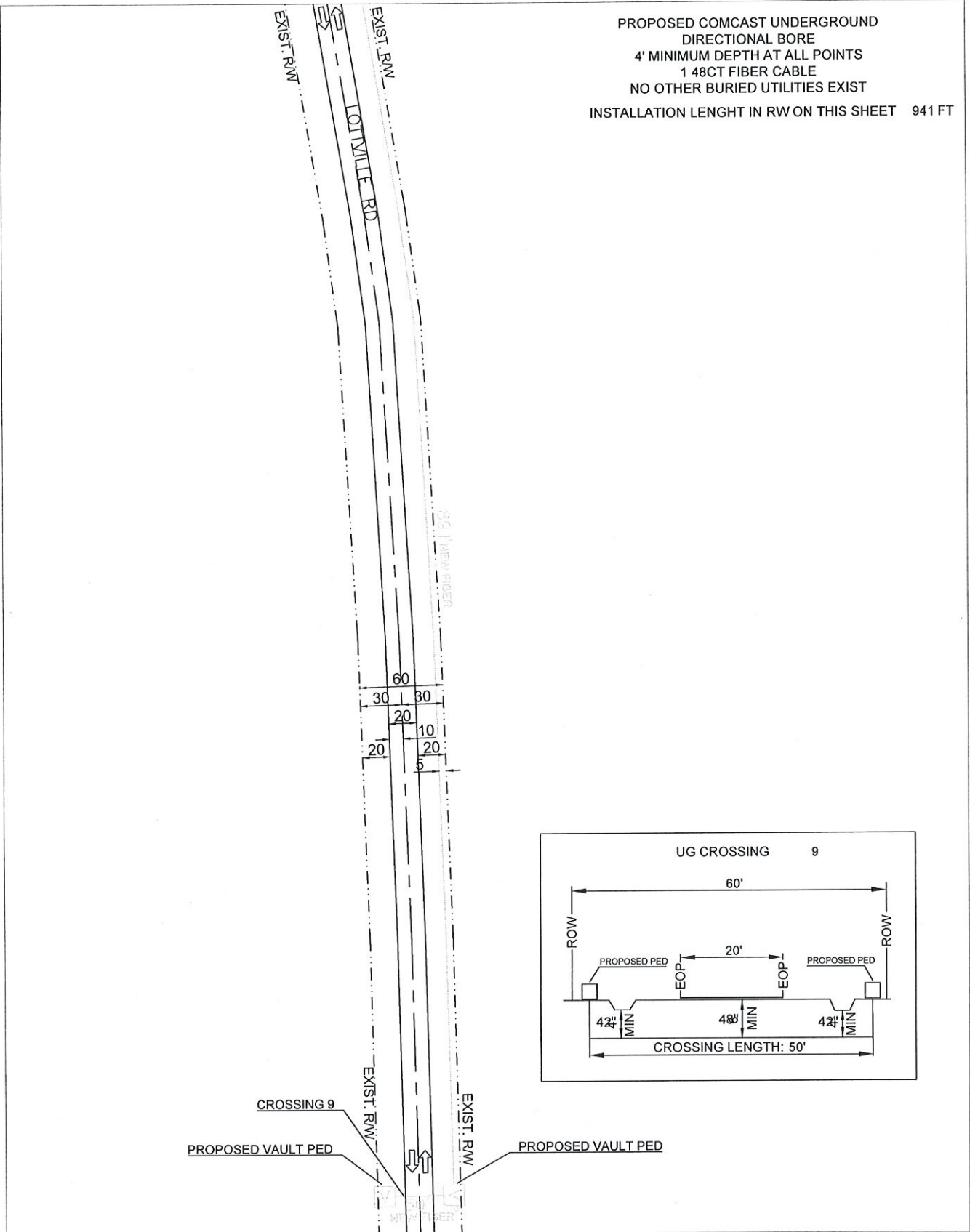
PREPARED BY:  	EXISTING POLE PROPOSED PEDESTAL PROPOSED VAULT WATER VALVE FIBER MARKER GAS MARKER MANHOLE SEWER MANHOLE STORM DRAIN	RIGHT OF WAY LINE IRRIGATION LINE WATER LAINE GAS LAINE PROPOSED ANCHOR PROPOSED RISER	PROPOSED COAXIAL CABLE PROPOSED FIBER CABLE PROPOSED DIRECTIONAL BORE EXISTING CABLE COUNTY LINE		ENGINEERED FOR:  	MADISON COUNTY LOTTVILLE RD TRANSPORT FIBER
	LEGEND: RW - RIGHT OF WAY EOP - EDGE OF PAVEMENT DW - DRIVEWAY PDW - PAVED DRIVEWAY	NOTES: BORE HOLE TO BE FILLED SAME DAY VAULT HOLE TO BE FILLED SAME DAY ALL HOLE TO BE TAMPED AND SODDED	NO SCALE SHEET 6 OF 24			

MATCH SHEET 6

PROPOSED COMCAST UNDERGROUND  
 DIRECTIONAL BORE  
 4' MINIMUM DEPTH AT ALL POINTS  
 1 48CT FIBER CABLE  
 NO OTHER BURIED UTILITIES EXIST  
 INSTALLATION LENGTH IN RW ON THIS SHEET 941 FT

NO MATCH SHEET

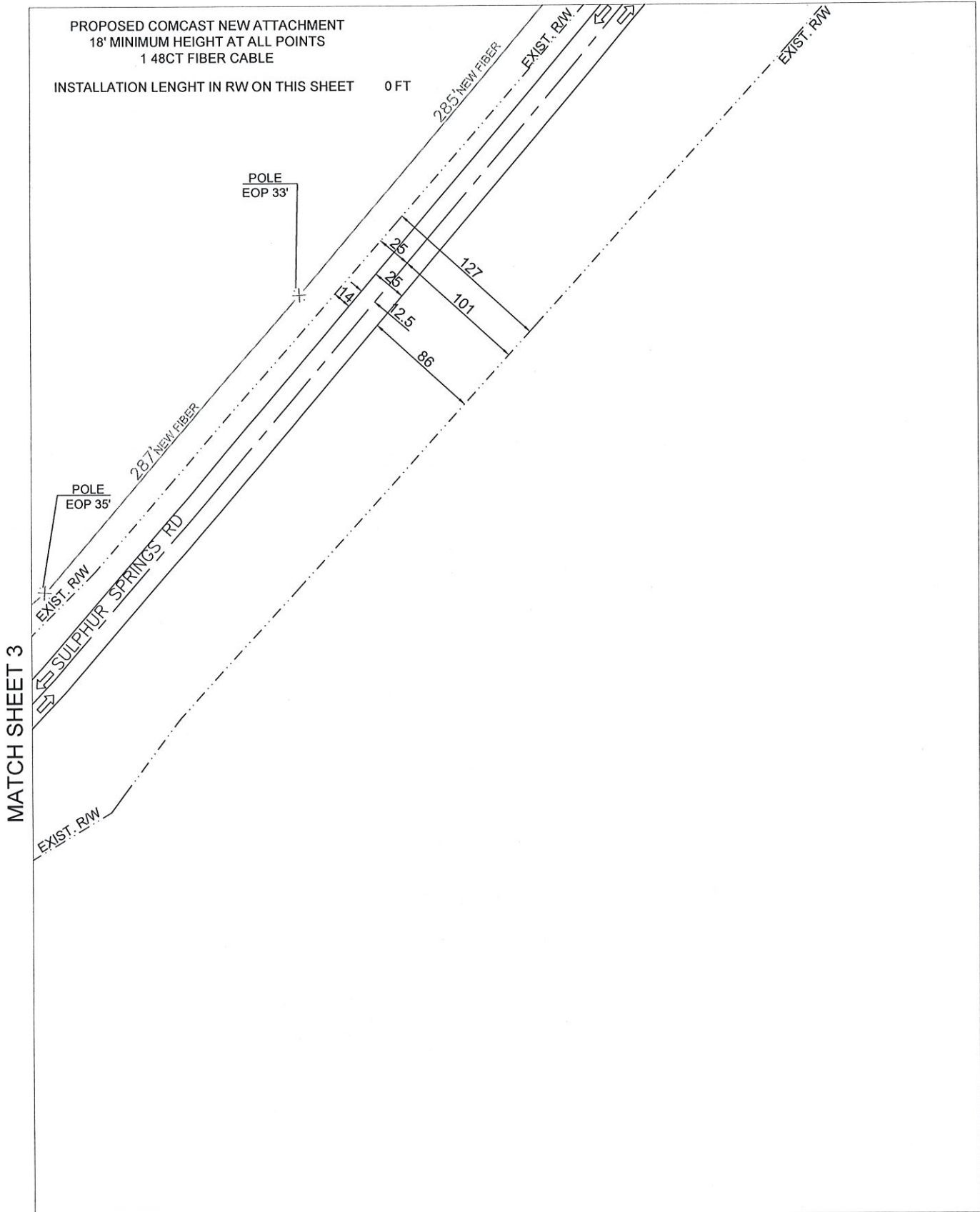
NO MATCH SHEET



NO MATCH SHEET

PREPARED BY:  	EXISTING POLE PROPOSED PEDESTAL PROPOSED VAULT WATER VALVE FIBER MARKER GAS MARKER MANHOLE SEWER MANHOLE STORM DRAIN	RIGHT OF WAY LINE IRRIGATION LINE WATER LAINE GAS LAINE PROPOSED ANCHOR PROPOSED RISER	PROPOSED COAXIAL CABLE PROPOSED FIBER CABLE PROPOSED DIRECTIONAL BORE EXISTING CABLE COUNTY LINE		ENGINEERED FOR:  	MADISON COUNTY LOTTVILLE RD TRANSPORT FIBER
	LEGEND: RW - RIGHT OF WAY EOP - EDGE OF PAVEMENT DW - DRIVEWAY PDW - PAVED DRIVEWAY	NOTES: BORE HOLE TO BE FILLED SAME DAY VAULT HOLE TO BE FILLED SAME DAY ALL HOLE TO BE TAMPED AND SODDED	NO SCALE		SHEET 7 OF 24	

PROPOSED COMCAST NEW ATTACHMENT  
 18' MINIMUM HEIGHT AT ALL POINTS  
 1 48CT FIBER CABLE  
 INSTALLATION LENGHT IN RW ON THIS SHEET 0 FT



NO MATCH SHEET

NO MATCH SHEET

PREPARED BY:  	EXISTING POLE PROPOSED PEDESTAL PROPOSED VAULT WATER VALVE FIBER MARKER GAS MARKER MANHOLE SEWER MANHOLE STORM DRAIN	RIGHT OF WAY LINE IRRIGATION LINE WATER LANE GAS LANE PROPOSED ANCHOR PROPOSED RISER	PROPOSED COAXIAL CABLE PROPOSED FIBER CABLE PROPOSED DIRECTIONAL BORE EXISTING CABLE COUNTY LINE		ENGINEERED FOR:  	MADISON COUNTY SULPHUR SPRINGS RD TRANSPORT FIBER
	LEGEND: RW - RIGHT OF WAY EOP - EDGE OF PAVEMENT EX - DRIVEWAY PDW - PAVED DRIVEWAY	NOTES: BORE HOLE TO BE FILLED SAME DAY VAULT HOLE TO BE FILLED SAME DAY ALL HOLE TO BE TAMPED AND SODDED	NO SCALE SHEET 8 OF 24			

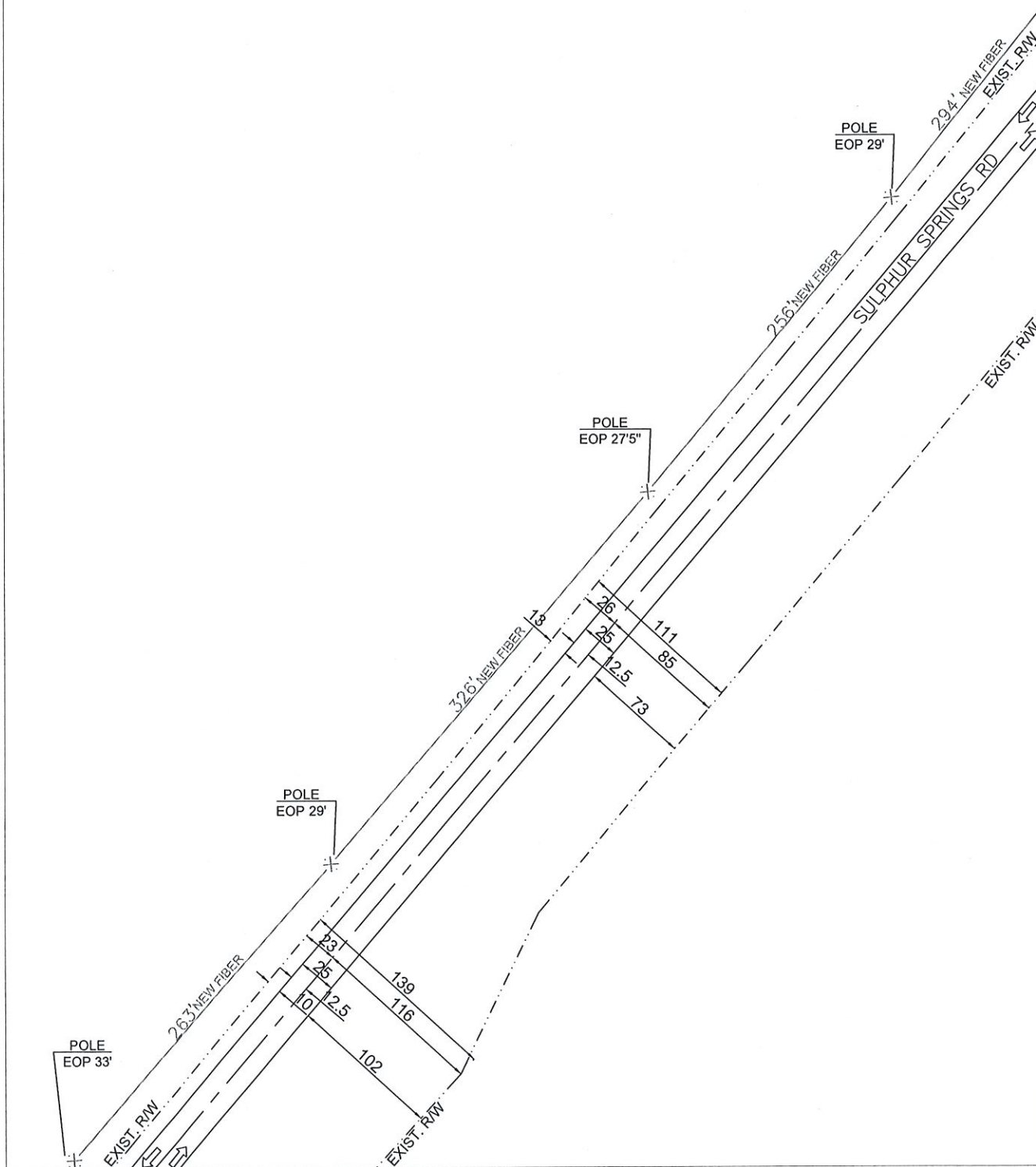
NO MATCH SHEET

PROPOSED COMCAST NEW ATTACHMENT  
 18' MINIMUM HEIGHT AT ALL POINTS  
 1 48CT FIBER CABLE

INSTALLATION LENGTH IN RW ON THIS SHEET 0 FT

NO MATCH SHEET

MATCH SHEET 10



MATCH SHEET 8

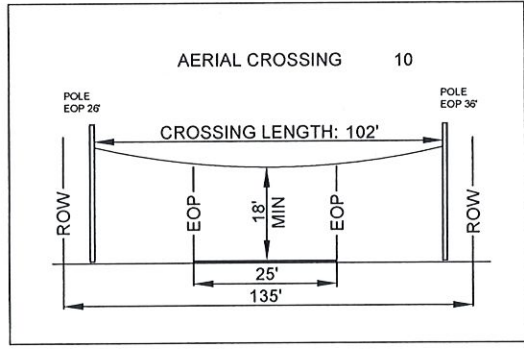
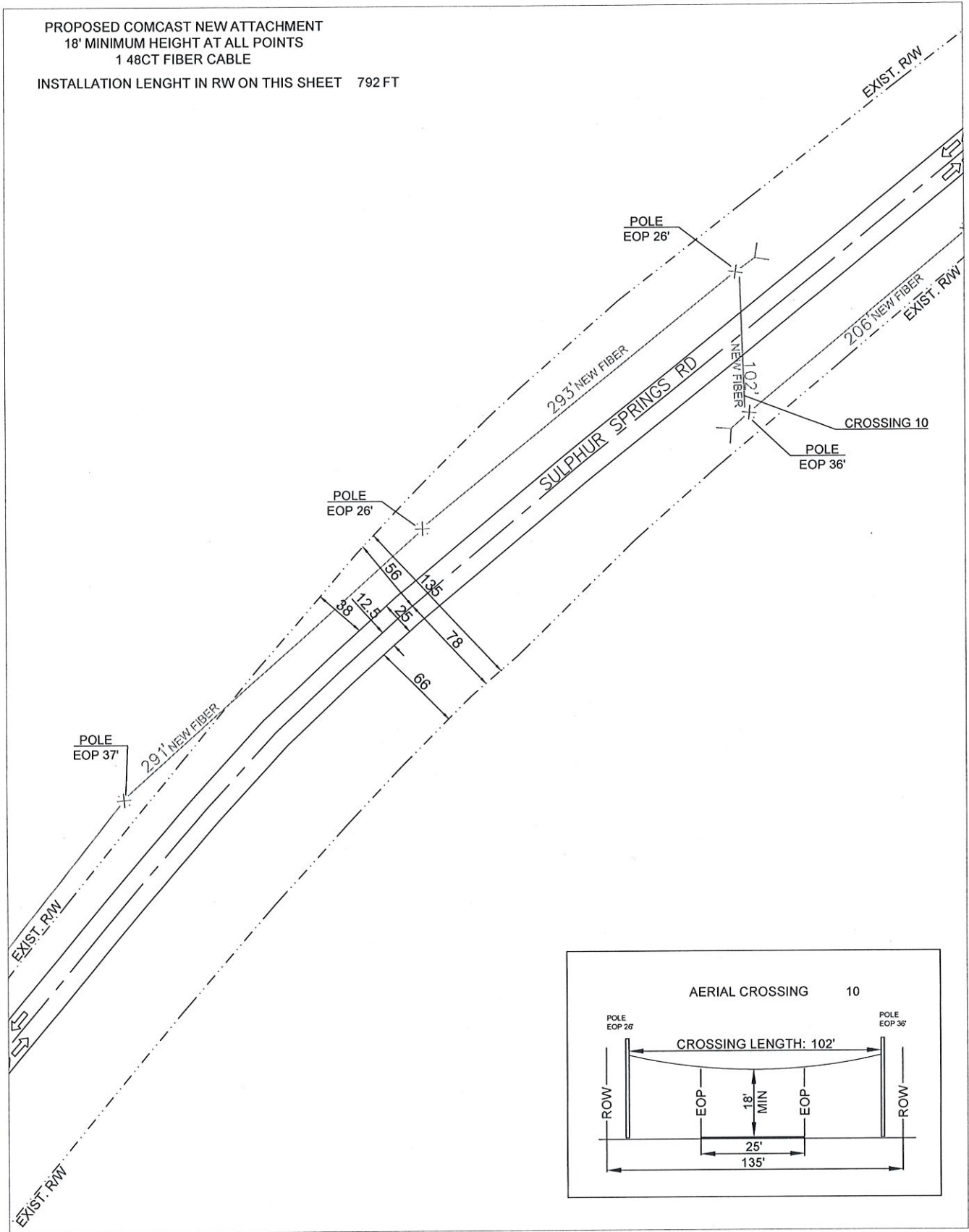
PREPARED BY:  	EXISTING POLE PROPOSED PEDESTAL PROPOSED VAULT WATER VALVE FIBER MARKER GAS MARKER MANHOLE SEWER MANHOLE STORM DRAIN	RIGHT OF WAY LINE IRRIGATION LINE WATER LANE GAS LANE PROPOSED ANCHOR PROPOSED RISER	PROPOSED COAXIAL CABLE PROPOSED FIBER CABLE PROPOSED DIRECTIONAL BORE EXISTING CABLE COUNTY LINE		ENGINEERED FOR:  	MADISON COUNTY SULPHUR SPRINGS RD TRANSPORT FIBER
	LEGEND: RW - RIGHT OF WAY EOP - EDGE OF PAVEMENT DW - DRIVEWAY PDW - PAVED DRIVEWAY	NOTES: BORE HOLE TO BE FILLED SAME DAY VAULT HOLE TO BE FILLED SAME DAY ALL HOLE TO BE TAMPED AND SOCCED	NO SCALE SHEET 9 OF 24			

NO MATCH SHEET

PROPOSED COMCAST NEW ATTACHMENT  
 18' MINIMUM HEIGHT AT ALL POINTS  
 1 48CT FIBER CABLE  
 INSTALLATION LENGTH IN RW ON THIS SHEET 792 FT

MATCH SHEET 9

MATCH SHEET 11



NO MATCH SHEET

PREPARED BY:  	EXISTING POLE PROPOSED PEDESTAL PROPOSED VAULT WATER VALVE FIBER MARKER GAS MARKER MANHOLE SEWER MANHOLE STORM DRAIN	RIGHT OF WAY LINE IRRIGATION LINE WATER LANE GAS LANE PROPOSED ANCHOR PROPOSED RISER	PROPOSED COAXIAL CABLE PROPOSED FIBER CABLE PROPOSED DIRECTIONAL BORE EXISTING CABLE COUNTY LINE		ENGINEERED FOR: MADISON COUNTY SULPHUR SPRINGS RD TRANSPORT FIBER		NO SCALE SHEET 10 OF 24
	LEGEND: RW - RIGHT OF WAY EOP - EDGE OF PAVEMENT DW - DRIVEWAY PDW - PAVED DRIVEWAY	NOTES: BORE HOLE TO BE FILLED SAME DAY VAULT HOLE TO BE FILLED SAME DAY ALL HOLE TO BE TAMPED AND SODDED					

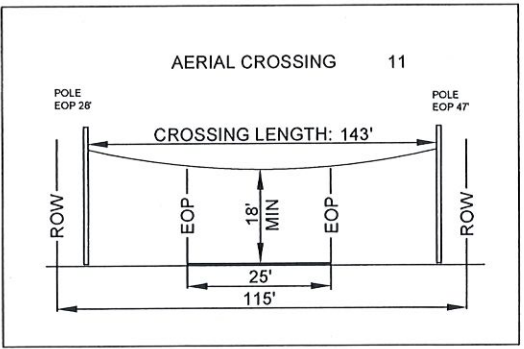
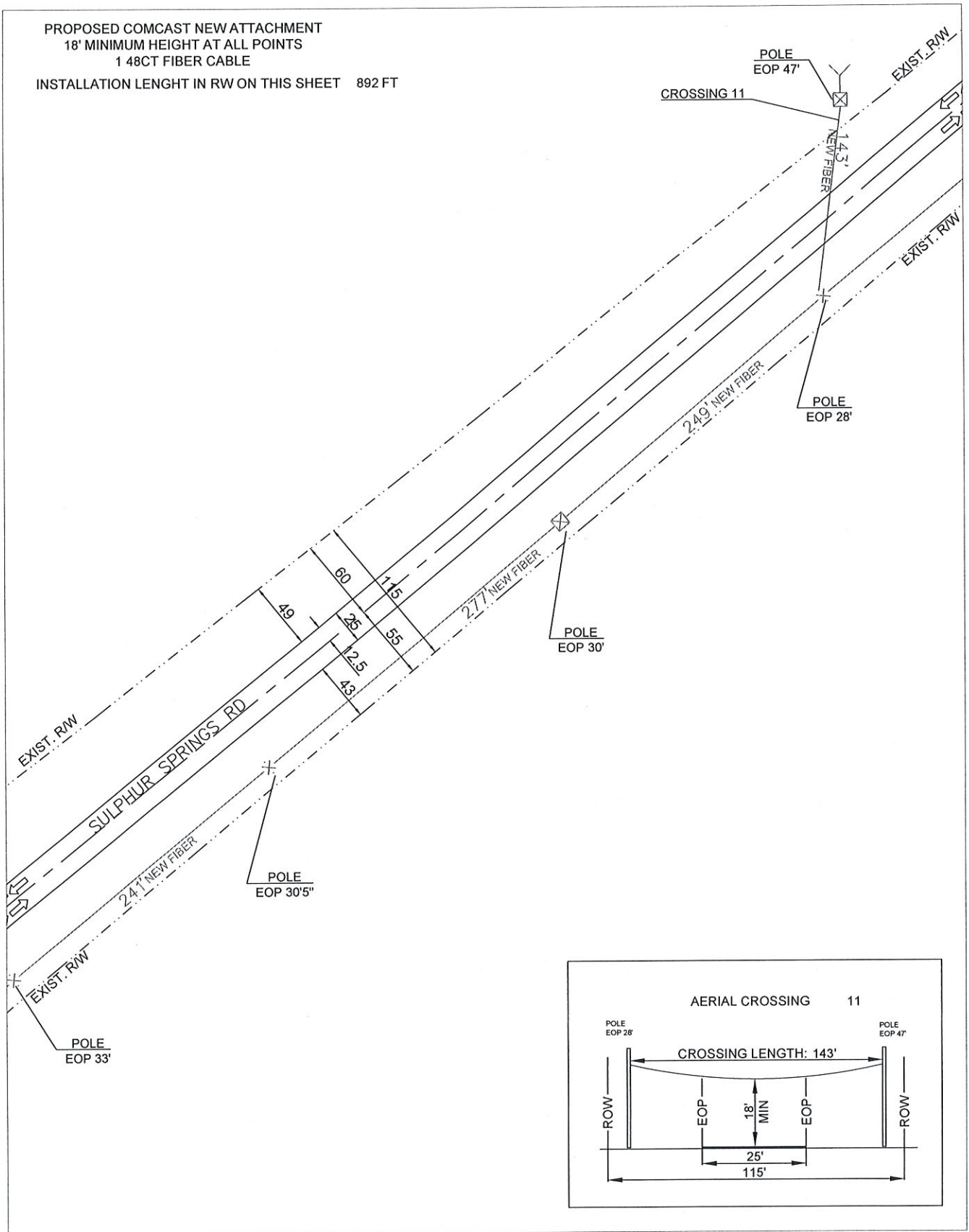


NO MATCH SHEET

PROPOSED COMCAST NEW ATTACHMENT  
 18' MINIMUM HEIGHT AT ALL POINTS  
 1 48CT FIBER CABLE  
 INSTALLATION LENGTH IN RW ON THIS SHEET 892 FT

MATCH SHEET 10

MATCH SHEET 12



NO MATCH SHEET

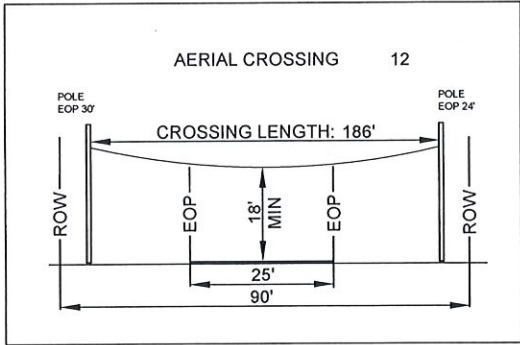
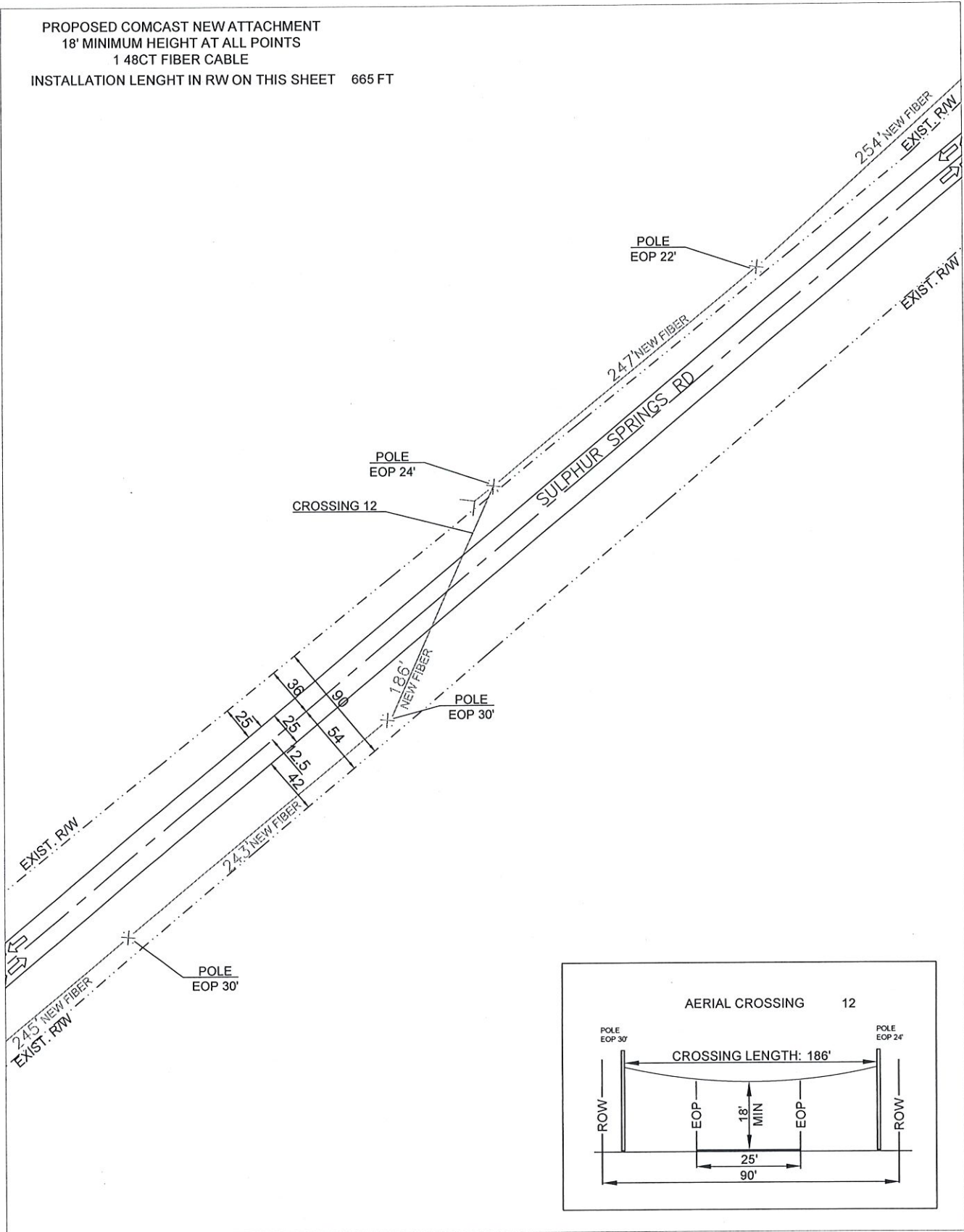
PREPARED BY: 	EXISTING POLE PROPOSED PEDESTAL PROPOSED VAULT WATER VALVE FIBER MARKER GAS MARKER MANHOLE SEWER MANHOLE STORM DRAIN	RIGHT OF WAY LINE IRRIGATION LINE WATER LAINE GAS LAINE PROPOSED ANCHOR PROPOSED RISER	PROPOSED COAXIAL CABLE PROPOSED FIBER CABLE PROPOSED DIRECTIONAL BORE EXISTING CABLE COUNTY LINE		ENGINEERED FOR: MADISON COUNTY SULPHUR SPRINGS RD TRANSPORT FIBER
	LEGEND: RW - RIGHT OF WAY EOP - EDGE OF PAVEMENT DW - DRIVEWAY PDW - PAVED DRIVEWAY	NOTES: BORE HOLE TO BE FILLED SAME DAY VAULT HOLE TO BE FILLED SAME DAY ALL HOLE TO BE TAMPED AND SODDED			NO SCALE   SHEET 11 OF 24

NO MATCH SHEET

PROPOSED COMCAST NEW ATTACHMENT  
 18' MINIMUM HEIGHT AT ALL POINTS  
 1 48CT FIBER CABLE  
 INSTALLATION LENGTH IN RW ON THIS SHEET 665 FT

MATCH SHEET 11

MATCH SHEET 13



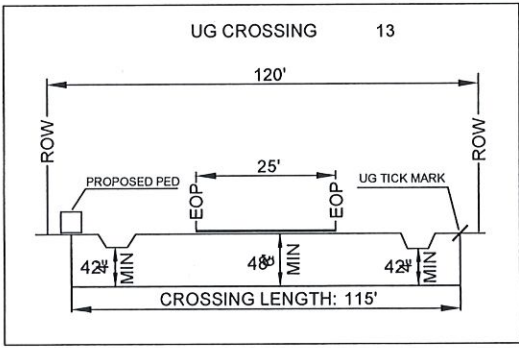
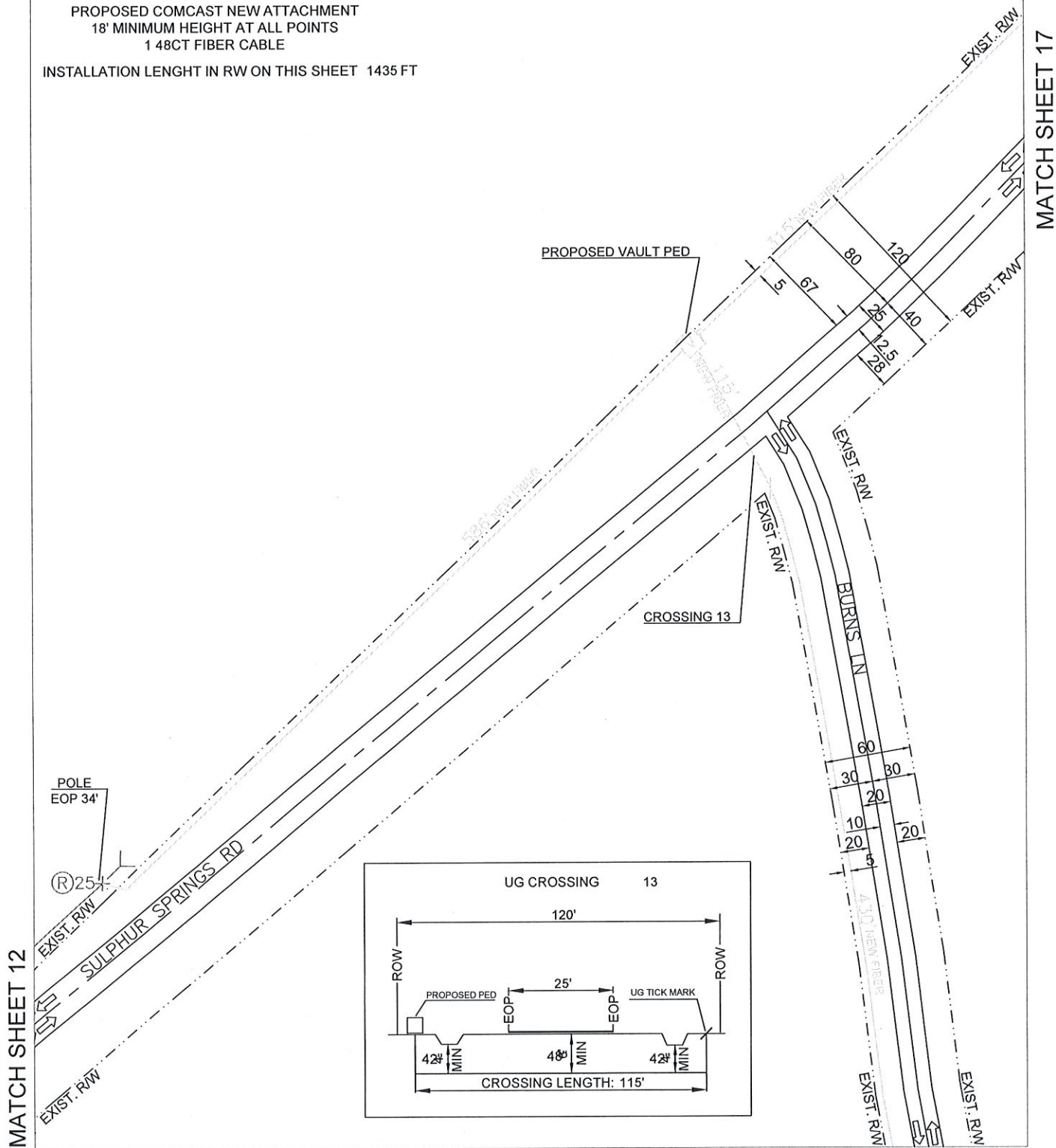
NO MATCH SHEET

PREPARED BY:  	EXISTING POLE PROPOSED PEDESTAL PROPOSED VAULT WATER VALVE FIBER MARKER GAS MARKER MANHOLE SEWER MAINHOLE STORM DRAIN	RIGHT OF WAY LINE IRRIGATION LINE WATER LAINE GAS LAINE PROPOSED ANCHOR PROPOSED RISER	PROPOSED COAXIAL CABLE PROPOSED FIBER CABLE PROPOSED DIRECTIONAL BORE EXISTING CABLE COUNTY LINE		ENGINEERED FOR: MADISON COUNTY SULPHUR SPRINGS RD TRANSPORT FIBER
	LEGEND: RW - RIGHT OF WAY EOP - EDGE OF PAVEMENT DW - DRIVEWAY PDW - PAVED DRIVEWAY	NOTES: BORE HOLE TO BE FILLED SAME DAY VAULT HOLE TO BE FILLED SAME DAY ALL HOLE TO BE TAMPED AND SODDED			NO SCALE SHEET 12 OF 24

NO MATCH SHEET

PROPOSED COMCAST UNDERGROUND  
 DIRECTIONAL BORE  
 4' MINIMUM DEPTH AT ALL POINTS  
 1 24CT FIBER CABLE  
 1 48CT FIBER CABLE  
 NO OTHER BURIED UTILITIES EXIST  
 PROPOSED COMCAST NEW ATTACHMENT  
 18' MINIMUM HEIGHT AT ALL POINTS  
 1 48CT FIBER CABLE

INSTALLATION LENGTH IN RW ON THIS SHEET 1435 FT



MATCH SHEET 12

MATCH SHEET 17

MATCH SHEET 14

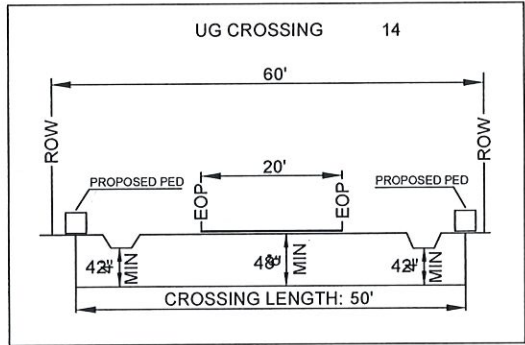
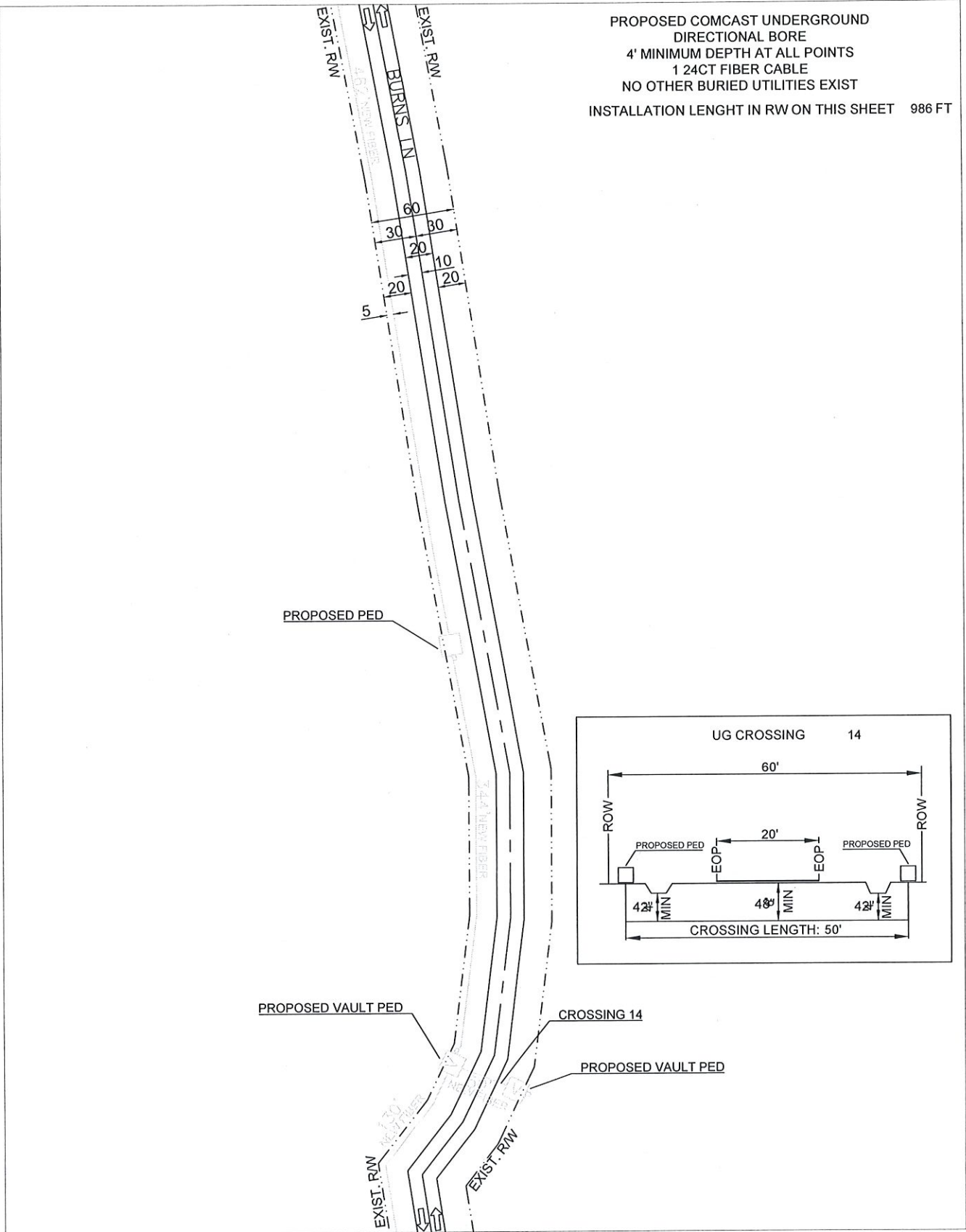
PREPARED BY: 	EXISTING POLE PROPOSED PEDESTAL PROPOSED VAULT WATER VALVE FIBER MARKER GAS MARKER MANHOLE SEWER MANHOLE STORM DRAIN	RIGHT OF WAY LINE IRRIGATION LINE WATER LANE GAS LANE PROPOSED ANCHOR PROPOSED RISER	PROPOSED COAXIAL CABLE PROPOSED FIBER CABLE PROPOSED DIRECTIONAL BORE EXISTING CABLE COUNTY LINE		ENGINEERED FOR: MADISON COUNTY SULPHUR SPRINGS RD BURNS LN TRANSPORT FIBER		NO SCALE	SHEET 13 OF 24
	LEGEND: RW - RIGHT OF WAY EOP - EDGE OF PAVEMENT DW - DRIVEWAY PDW - PAVED DRIVEWAY	NOTES: BORE HOLE TO BE FILLED SAME DAY VAULT HOLE TO BE FILLED SAME DAY ALL HOLE TO BE TAMPED AND SOODED						

MATCH SHEET 13

PROPOSED COMCAST UNDERGROUND  
 DIRECTIONAL BORE  
 4' MINIMUM DEPTH AT ALL POINTS  
 1 24CT FIBER CABLE  
 NO OTHER BURIED UTILITIES EXIST  
 INSTALLATION LENGTH IN RW ON THIS SHEET 986 FT

NO MATCH SHEET

NO MATCH SHEET



MATCH SHEET 15

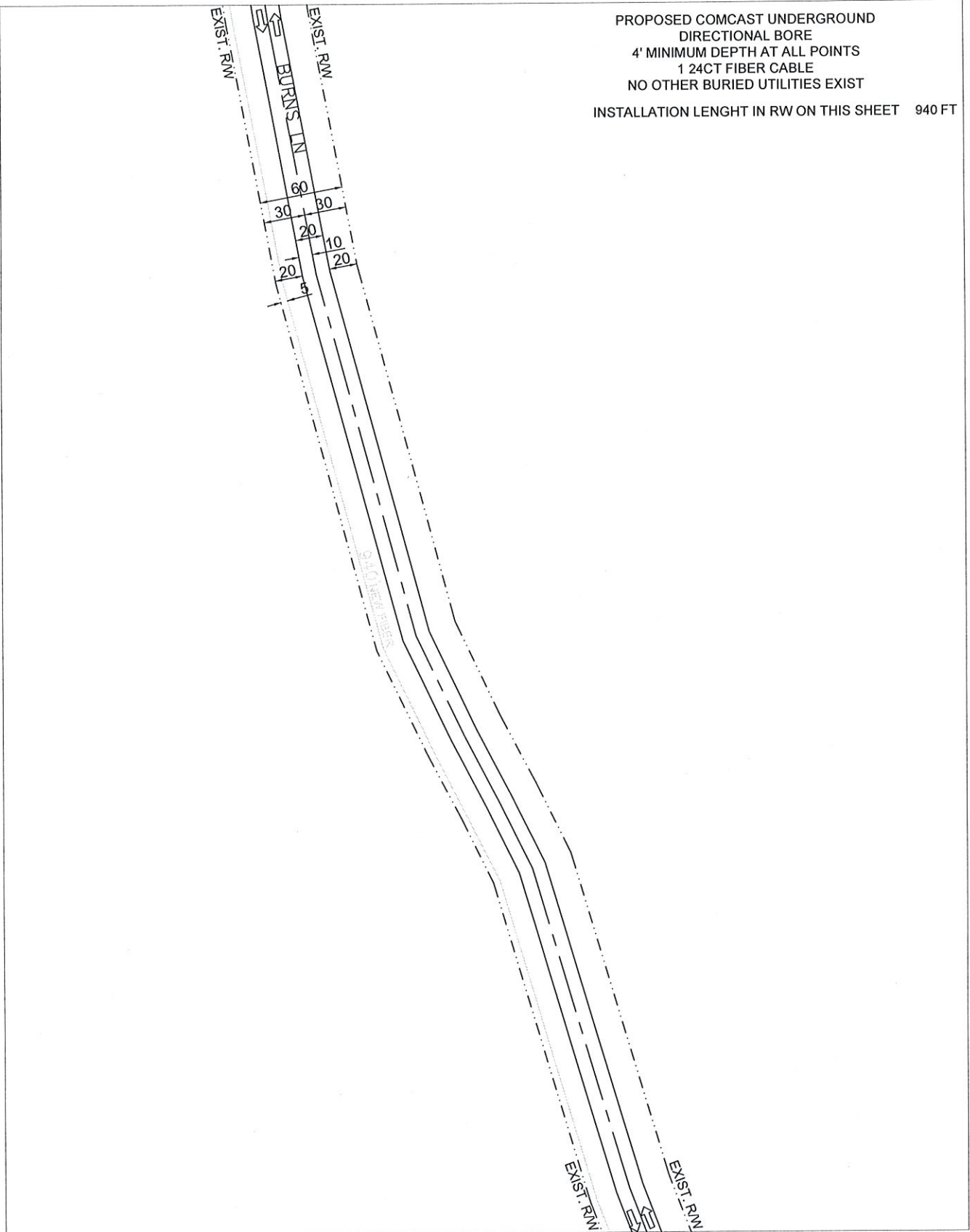
PREPARED BY:  	EXISTING POLE PROPOSED PEDESTAL PROPOSED VAULT WATER VALVE FIBER MARKER GAS MARKER MANHOLE SEWER MAINHOLE STORM DRAIN	RIGHT OF WAY LINE IRRIGATION LINE WATER LAINE GAS LAINE PROPOSED ANCHOR PROPOSED RISER	PROPOSED COAXIAL CABLE PROPOSED FIBER CABLE PROPOSED DIRECTIONAL BORE EXISTING CABLE COUNTY LINE		ENGINEERED FOR:  	MADISON COUNTY  BURNS LN  TRANSPORT FIBER
	LEGEND: RW - RIGHT OF WAY EOP - EDGE OF PAVEMENT DW - DRIVEWAY PDW - PAVED DRIVEWAY	NOTES: BORE HOLE TO BE FILLED SAME DAY VAULT HOLE TO BE FILLED SAME DAY ALL HOLE TO BE TAMPED AND SODDED	NO SCALE		SHEET 14 OF 24	

MATCH SHEET 14

PROPOSED COMCAST UNDERGROUND  
 DIRECTIONAL BORE  
 4' MINIMUM DEPTH AT ALL POINTS  
 1 24CT FIBER CABLE  
 NO OTHER BURIED UTILITIES EXIST  
 INSTALLATION LENGHT IN RW ON THIS SHEET 940 FT

NO MATCH SHEET

NO MATCH SHEET

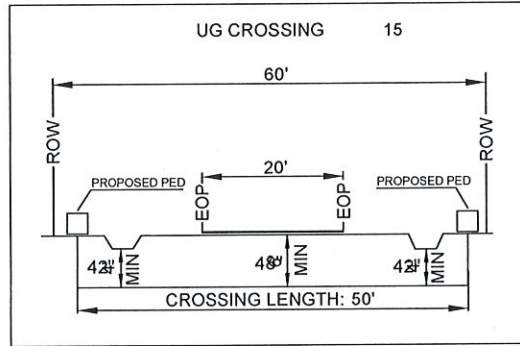
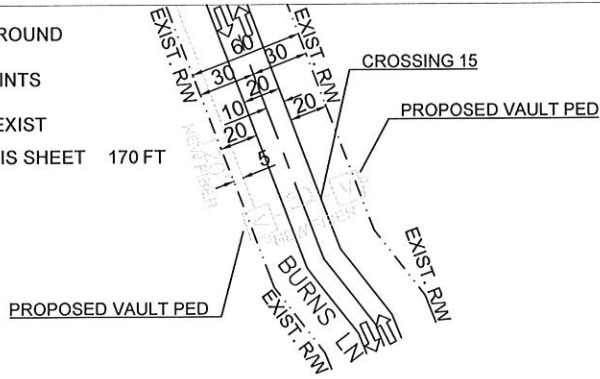


MATCH SHEET 16

PREPARED BY:  	EXISTING POLE PROPOSED PEDESTAL PROPOSED VAULT WATER VALVE FIBER MARKER GAS MARKER MANHOLE SEWER MANHOLE STORM DRAIN	RIGHT OF WAY LINE IRRIGATION LINE WATER LANE GAS LANE PROPOSED ANCHOR PROPOSED RISER	PROPOSED COAXIAL CABLE PROPOSED FIBER CABLE PROPOSED DIRECTIONAL BORE EXISTING CABLE COUNTY LINE		ENGINEERED FOR:  	MADISON COUNTY BURNS LN TRANSPORT FIBER
	LEGEND: RW - RIGHT OF WAY EOP - EDGE OF PAVEMENT DW - DRIVEWAY PDW - PAVED DRIVEWAY	NOTES: BORE HOLE TO BE FILLED SAME DAY VAULT HOLE TO BE FILLED SAME DAY ALL HOLE TO BE TAMPED AND SODDED	NO SCALE SHEET 15 OF 24			

# MATCH SHEET 15

PROPOSED COMCAST UNDERGROUND  
 DIRECTIONAL BORE  
 4' MINIMUM DEPTH AT ALL POINTS  
 1 24CT FIBER CABLE  
 NO OTHER BURIED UTILITIES EXIST  
 INSTALLATION LENGTH IN RW ON THIS SHEET 170 FT



NO MATCH SHEET

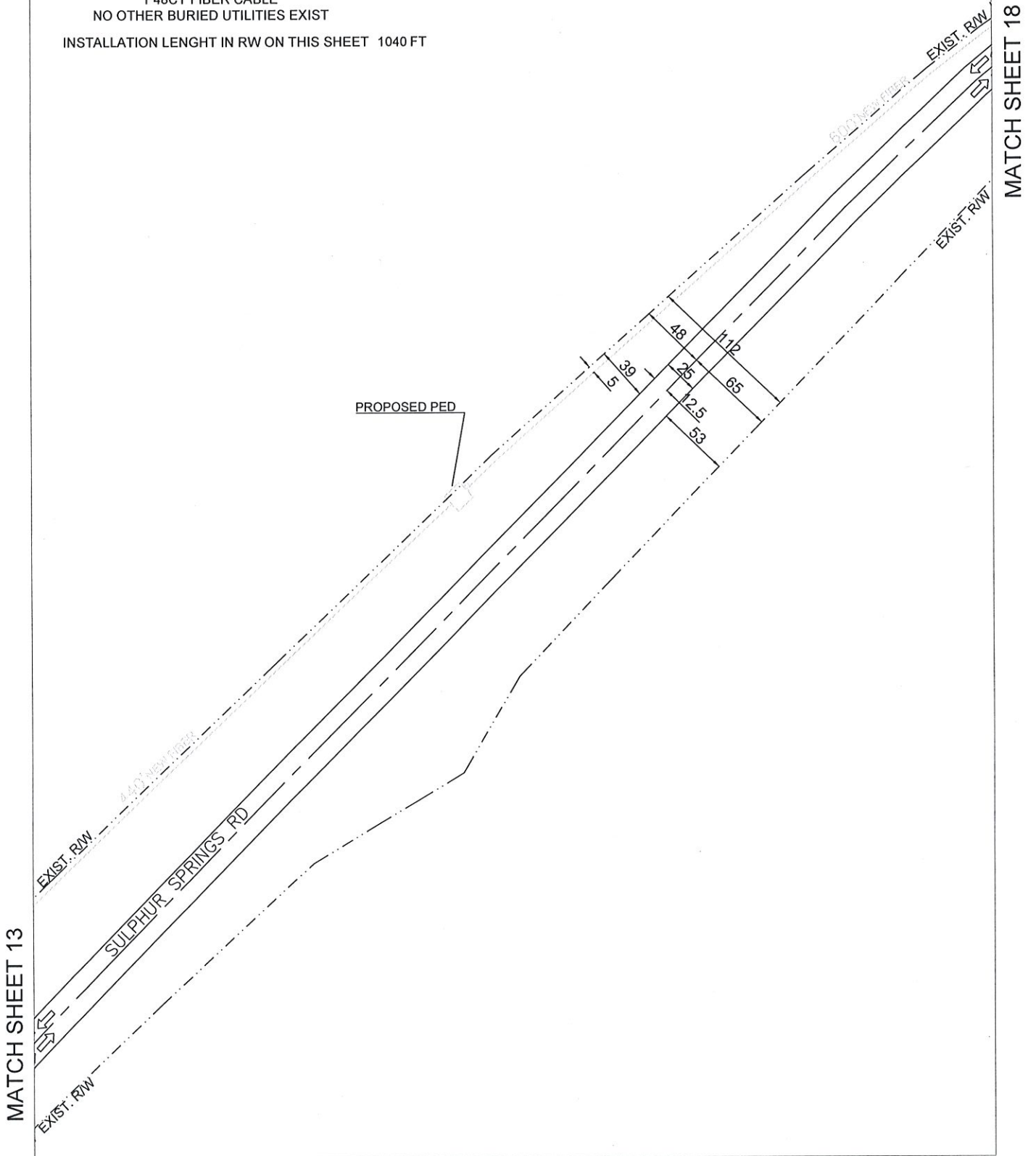
NO MATCH SHEET

## NO MATCH SHEET

PREPARED BY:  QUASAR, INC.	<table border="0"> <tr> <td> <ul style="list-style-type: none"> <li> EXISTING POLE</li> <li> PROPOSED PEDESTAL</li> <li> PROPOSED VAULT</li> <li> WATER VALVE</li> <li> FIBER MARKER</li> <li> GAS MARKER</li> <li> MANHOLE</li> <li> SEWER MANHOLE</li> <li> STORM DRAIN</li> </ul> </td> <td> <ul style="list-style-type: none"> <li> RIGHT OF WAY LINE</li> <li> IRRIGATION LINE</li> <li> WATER LANE</li> <li> GAS LANE</li> <li> PROPOSED ANCHOR</li> <li> PROPOSED RISER</li> </ul> </td> <td> <ul style="list-style-type: none"> <li> PROPOSED COAXIAL CABLE</li> <li> PROPOSED FIBER CABLE</li> <li> PROPOSED DIRECTIONAL BORE</li> <li> EXISTING CABLE</li> <li> COUNTY LINE</li> </ul> </td> </tr> </table>	<ul style="list-style-type: none"> <li> EXISTING POLE</li> <li> PROPOSED PEDESTAL</li> <li> PROPOSED VAULT</li> <li> WATER VALVE</li> <li> FIBER MARKER</li> <li> GAS MARKER</li> <li> MANHOLE</li> <li> SEWER MANHOLE</li> <li> STORM DRAIN</li> </ul>	<ul style="list-style-type: none"> <li> RIGHT OF WAY LINE</li> <li> IRRIGATION LINE</li> <li> WATER LANE</li> <li> GAS LANE</li> <li> PROPOSED ANCHOR</li> <li> PROPOSED RISER</li> </ul>	<ul style="list-style-type: none"> <li> PROPOSED COAXIAL CABLE</li> <li> PROPOSED FIBER CABLE</li> <li> PROPOSED DIRECTIONAL BORE</li> <li> EXISTING CABLE</li> <li> COUNTY LINE</li> </ul>		ENGINEERED FOR:  COMCAST	MADISON COUNTY  BURNS LN  TRANSPORT FIBER
<ul style="list-style-type: none"> <li> EXISTING POLE</li> <li> PROPOSED PEDESTAL</li> <li> PROPOSED VAULT</li> <li> WATER VALVE</li> <li> FIBER MARKER</li> <li> GAS MARKER</li> <li> MANHOLE</li> <li> SEWER MANHOLE</li> <li> STORM DRAIN</li> </ul>	<ul style="list-style-type: none"> <li> RIGHT OF WAY LINE</li> <li> IRRIGATION LINE</li> <li> WATER LANE</li> <li> GAS LANE</li> <li> PROPOSED ANCHOR</li> <li> PROPOSED RISER</li> </ul>	<ul style="list-style-type: none"> <li> PROPOSED COAXIAL CABLE</li> <li> PROPOSED FIBER CABLE</li> <li> PROPOSED DIRECTIONAL BORE</li> <li> EXISTING CABLE</li> <li> COUNTY LINE</li> </ul>					
		NOTES: BORE HOLE TO BE FILLED SAME DAY VAULT HOLE TO BE FILLED SAME DAY ALL HOLE TO BE TAMPED AND SODDED		NO SCALE	SHEET 16 OF 24		

NO MATCH SHEET

PROPOSED COMCAST UNDERGROUND  
 DIRECTIONAL BORE  
 4' MINIMUM DEPTH AT ALL POINTS  
 1 48CT FIBER CABLE  
 NO OTHER BURIED UTILITIES EXIST  
 INSTALLATION LENGTH IN RW ON THIS SHEET 1040 FT

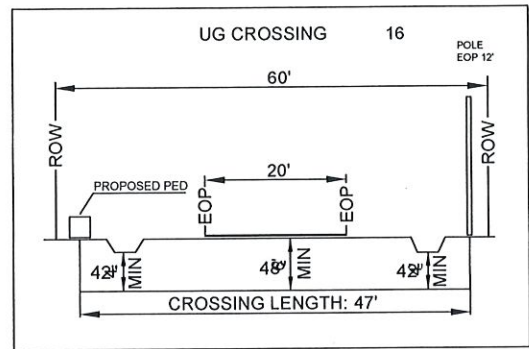


NO MATCH SHEET

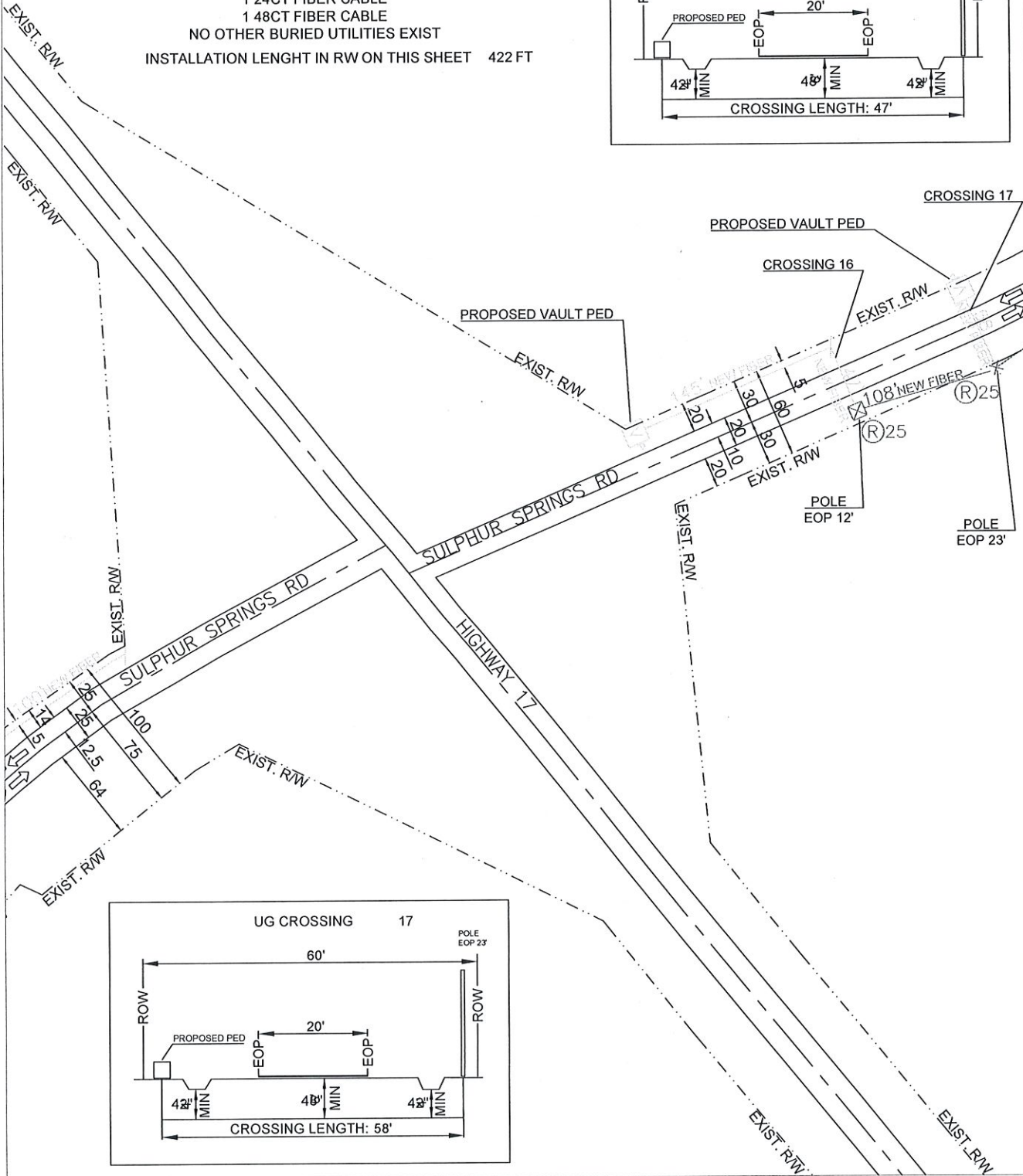
PREPARED BY:  	EXISTING POLE PROPOSED PEDESTAL PROPOSED VAULT WATER VALVE FIBER MARKER GAS MARKER MANHOLE SEWER MAINHOLE STORM DRAIN	RIGHT OF WAY LINE IRRIGATION LINE WATER LAINE GAS LAINE PROPOSED ANCHOR PROPOSED RISER	PROPOSED COAXIAL CABLE PROPOSED FIBER CABLE PROPOSED DIRECTIONAL BORE EXISTING CABLE COUNTY LINE		ENGINEERED FOR:  	MADISON COUNTY SULPHUR SPRINGS RD TRANSPORT FIBER
	LEGEND: RW - RIGHT OF WAY EOP - EDGE OF PAVEMENT DW - DRIVEWAY PDW - PAVED DRIVEWAY	NOTES: BORE HOLE TO BE FILLED SAME DAY VAULT HOLE TO BE FILLED SAME DAY ALL HOLE TO BE TAMPED AND SODDED	NO SCALE SHEET 17 OF 24			

NO MATCH SHEET

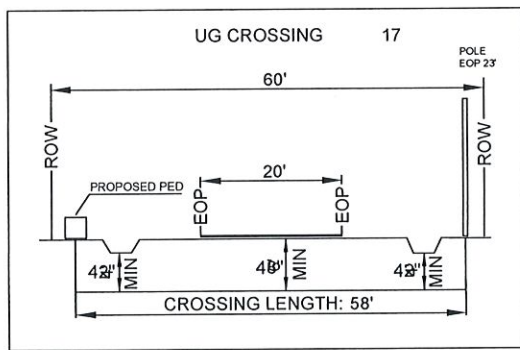
PROPOSED COMCAST NEW ATTACHMENT  
 18' MINIMUM HEIGHT AT ALL POINTS  
 1 24CT FIBER CABLE  
 PROPOSED COMCAST UNDERGROUND  
 DIRECTIONAL BORE  
 4' MINIMUM DEPTH AT ALL POINTS  
 1 24CT FIBER CABLE  
 1 48CT FIBER CABLE  
 NO OTHER BURIED UTILITIES EXIST  
 INSTALLATION LENGHT IN RW ON THIS SHEET 422 FT



MATCH SHEET 17



MATCH SHEET 19



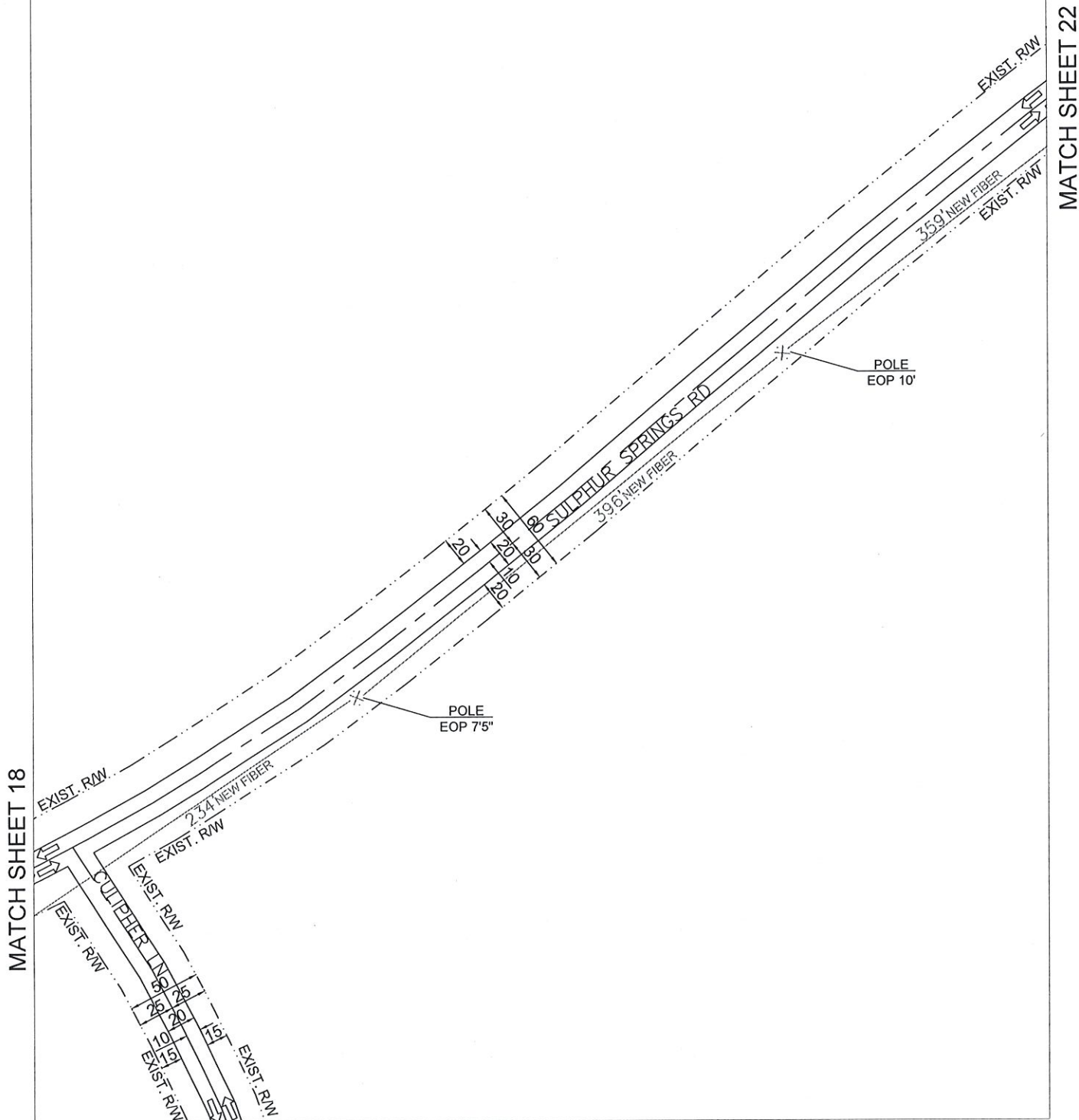
NO MATCH SHEET

PREPARED BY: 	EXISTING POLE PROPOSED PEDESTAL PROPOSED VAULT WATER VALVE FIBER MARKER GAS MARKER MANHOLE SEWER MANHOLE STORM DRAIN	RIGHT OF WAY LINE IRRIGATION LINE WATER LAINE GAS LAINE PROPOSED ANCHOR PROPOSED RISER	PROPOSED COAXIAL CABLE PROPOSED FIBER CABLE PROPOSED DIRECTIONAL BORE EXISTING CABLE COUNTY LINE	ENGINEERED FOR: MADISON COUNTY SULPHUR SPRINGS RD HIGHWAY 17 TRANSPORT FIBER 	NOTES: BORE HOLE TO BE FILLED SAME DAY VAULT HOLE TO BE FILLED SAME DAY ALL HOLE TO BE TAMPED AND SODDED
	LEGEND: RW - RIGHT OF WAY EOP - EDGE OF PAVEMENT DW - DRIVEWAY POW - PAVED DRIVEWAY	NORTH 	NO SCALE SHEET 18 OF 24		



NO MATCH SHEET

PROPOSED COMCAST NEW ATTACHMENT  
 18' MINIMUM HEIGHT AT ALL POINTS  
 1 24CT FIBER CABLE  
 INSTALLATION LENGTH IN RW ON THIS SHEET 973 FT



MATCH SHEET 18

MATCH SHEET 22

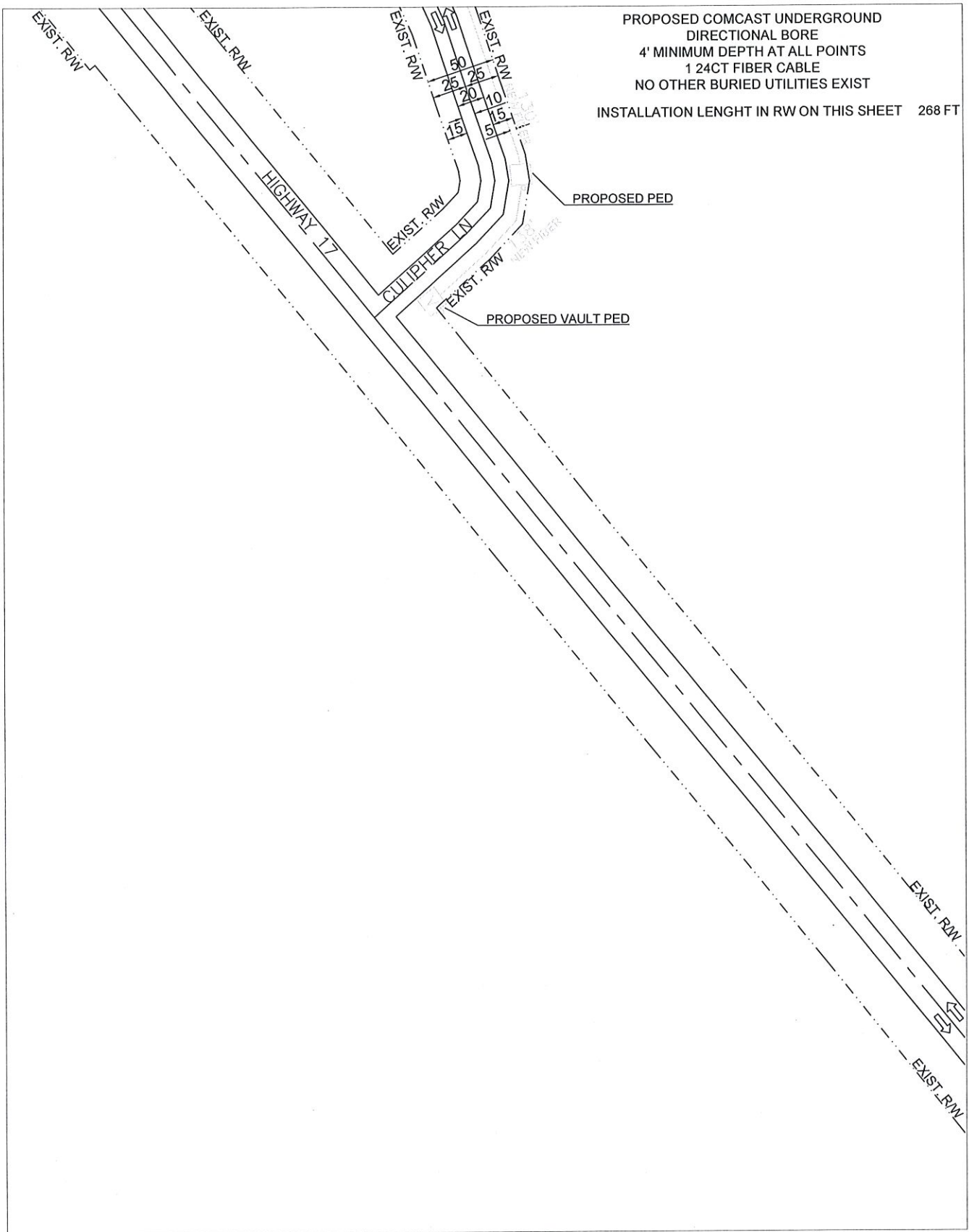
MATCH SHEET 20

PREPARED BY:  	EXISTING POLE PROPOSED PEDESTAL PROPOSED VAULT WATER VALVE FIBER MARKER GAS MARKER MANHOLE SEWER MANHOLE STORM DRAIN	RIGHT OF WAY LINE IRRIGATION LINE WATER LANE GAS LANE PROPOSED ANCHOR PROPOSED RISER	PROPOSED COAXIAL CABLE PROPOSED FIBER CABLE PROPOSED DIRECTIONAL BORE EXISTING CABLE COUNTY LINE		ENGINEERED FOR:  	MADISON COUNTY  SULPHUR SPRINGS RD CULPHER LN TRANSPORT FIBER
	LEGEND: RW - RIGHT OF WAY EOP - EDGE OF PAVEMENT DW - DRIVEWAY PAV - PAVED DRIVEWAY	NOTES: BORE HOLE TO BE FILLED SAME DAY VAULT HOLE TO BE FILLED SAME DAY ALL HOLE TO BE TAMPED AND SODDED	NO SCALE SHEET 19 OF 24			



MATCH SHEET 20

NO MATCH SHEET



PROPOSED COMCAST UNDERGROUND  
 DIRECTIONAL BORE  
 4' MINIMUM DEPTH AT ALL POINTS  
 1 24CT FIBER CABLE  
 NO OTHER BURIED UTILITIES EXIST  
 INSTALLATION LENGHT IN RW ON THIS SHEET 268 FT

NO MATCH SHEET

NO MATCH SHEET

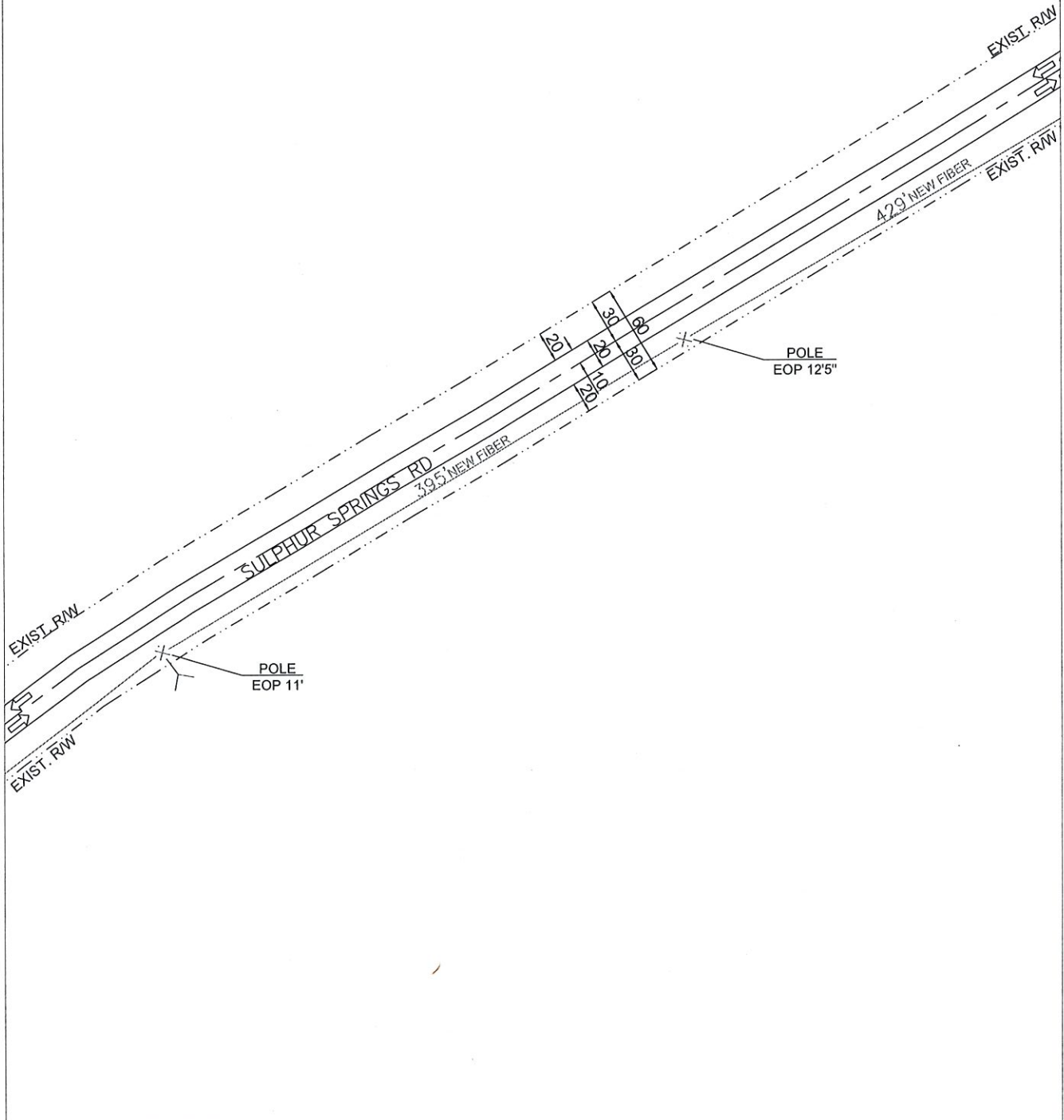
PREPARED BY:  	EXISTING POLE PROPOSED PEDESTAL PROPOSED VAULT WATER VALVE FIBER MARKER GAS MARKER MANHOLE SEWER MAINHOLE STORM DRAIN	RIGHT OF WAY LINE IRRIGATION LINE WATER LAINE GAS LAINE PROPOSED ANCHOR PROPOSED RISER	PROPOSED COAXIAL CABLE PROPOSED FIBER CABLE PROPOSED DIRECTIONAL BORE EXISTING CABLE COUNTY LINE		ENGINEERED FOR:  	MADISON COUNTY  CULIPHER LN HIGHWAY 17 TRANSPORT FIBER
	LEGEND: RW - RIGHT OF WAY EOP - EDGE OF PAVEMENT DW - DRIVEWAY PDW - PAVED DRIVEWAY	NOTES: BORE HOLE TO BE FILLED SAME DAY VAULT HOLE TO BE FILLED SAME DAY ALL HOLE TO BE TAMPED AND SODDED	NO SCALE		SHEET 21 OF 24	

NO MATCH SHEET

PROPOSED COMCAST NEW ATTACHMENT  
 18' MINIMUM HEIGHT AT ALL POINTS  
 1 24CT FIBER CABLE  
 INSTALLATION LENGTH IN RW ON THIS SHEET 787 FT

MATCH SHEET 19

MATCH SHEET 23



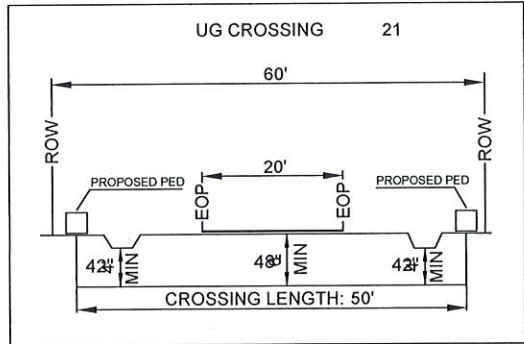
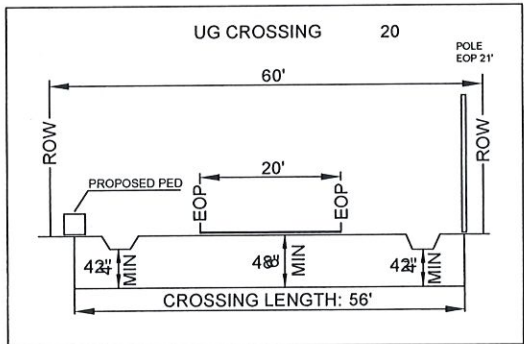
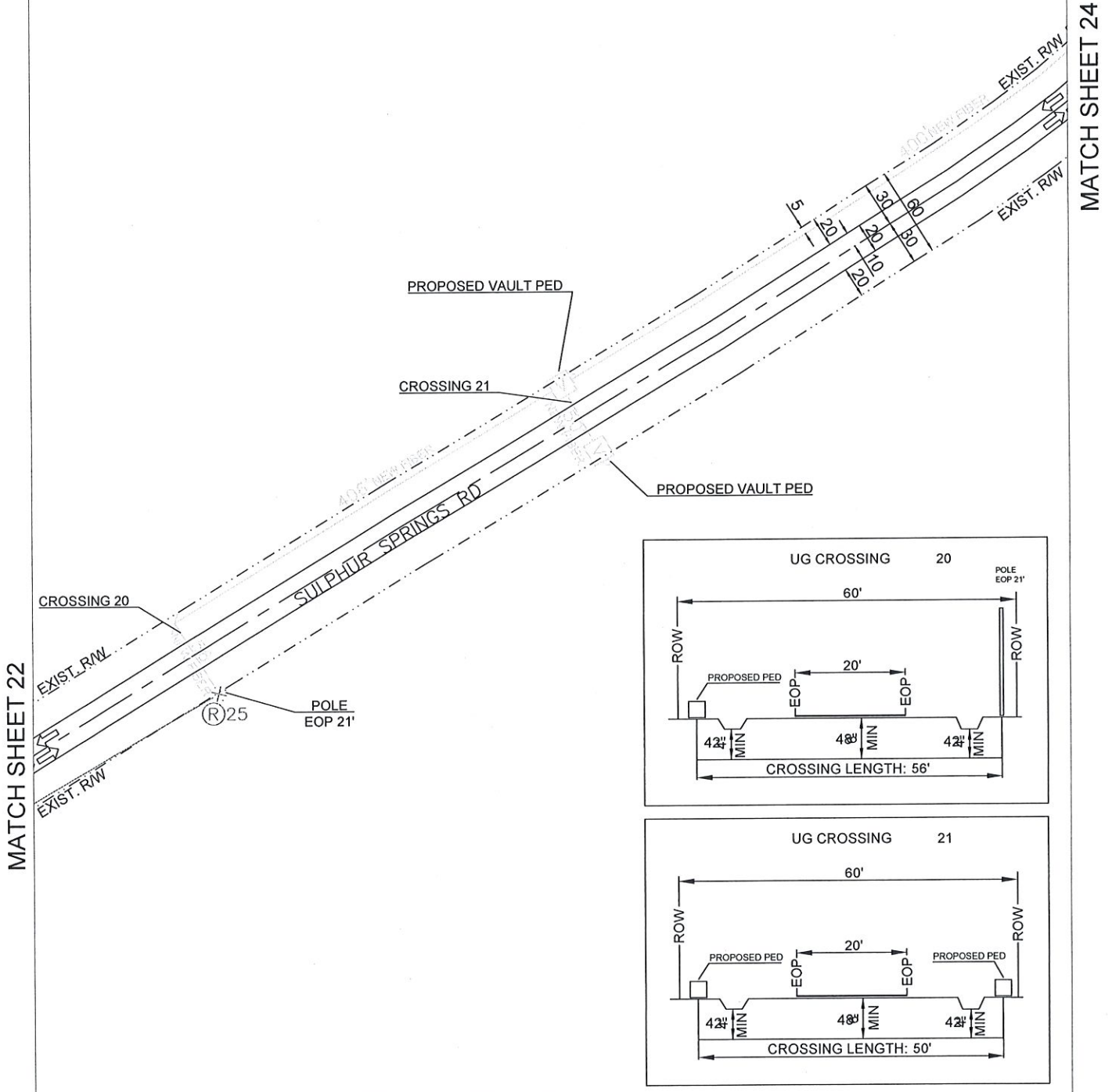
NO MATCH SHEET

PREPARED BY:  	EXISTING POLE PROPOSED PEDESTAL PROPOSED VAULT WATER VALVE FIBER MARKER GAS MARKER MANHOLE SEWER MANHOLE STORM DRAIN	RIGHT OF WAY LINE IRRIGATION LINE WATER LANE GAS LANE PROPOSED ANCHOR PROPOSED RISER	PROPOSED COAXIAL CABLE PROPOSED FIBER CABLE PROPOSED DIRECTIONAL BORE EXISTING CABLE COUNTY LINE		ENGINEERED FOR:  	MADISON COUNTY SULPHUR SPRINGS RD TRANSPORT FIBER
	LEGEND: RW - RIGHT OF WAY EOP - EDGE OF PAVEMENT DW - DRIVEWAY PDW - PAVED DRIVEWAY	NOTES: BORE HOLE TO BE FILLED SAME DAY VAULT HOLE TO BE FILLED SAME DAY ALL HOLE TO BE TAMPED AND SOODED	NO SCALE SHEET 22 OF 24			

NO MATCH SHEET

PROPOSED COMCAST UNDERGROUND  
 DIRECTIONAL BORE  
 4' MINIMUM DEPTH AT ALL POINTS  
 1 24CT FIBER CABLE  
 NO OTHER BURIED UTILITIES EXIST  
 PROPOSED COMCAST NEW ATTACHMENT  
 18' MINIMUM HEIGHT AT ALL POINTS  
 1 24CT FIBER CABLE

INSTALLATION LENGTH IN RW ON THIS SHEET 912 FT



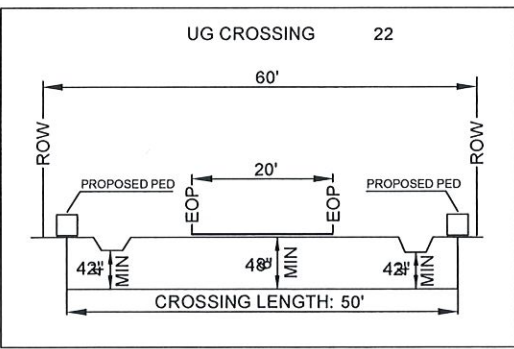
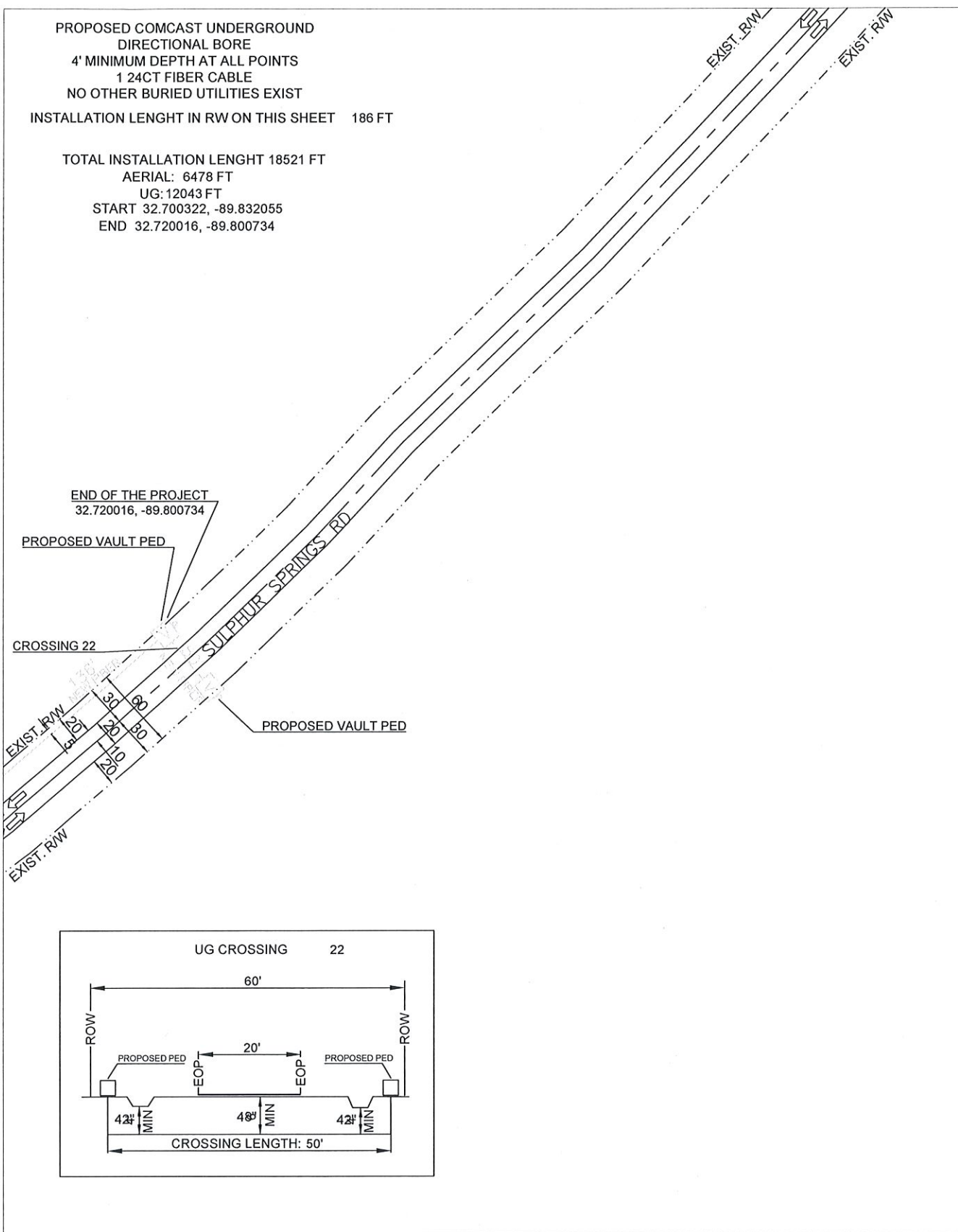
NO MATCH SHEET

PREPARED BY:  	EXISTING POLE PROPOSED PEDESTAL PROPOSED VAULT WATER VALVE FIBER MARKER GAS MARKER MANHOLE SEWER MANHOLE STORM DRAIN	RIGHT OF WAY LINE IRRIGATION LINE WATER LANE GAS LANE PROPOSED ANCHOR PROPOSED RISER	PROPOSED COAXIAL CABLE PROPOSED FIBER CABLE PROPOSED DIRECTIONAL BORE EXISTING CABLE COUNTY LINE		ENGINEERED FOR:  	MADISON COUNTY SULPHUR SPRINGS RD TRANSPORT FIBER
	LEGEND: RW - RIGHT OF WAY EOP - EDGE OF PAVEMENT DW - DRIVEWAY PDW - PAVED DRIVEWAY	NOTES: BORE HOLE TO BE FILLED SAME DAY VAULT HOLE TO BE FILLED SAME DAY ALL HOLE TO BE TAMPED AND SODDED	NO SCALE		SHEET 23 OF 24	

PROPOSED COMCAST UNDERGROUND  
 DIRECTIONAL BORE  
 4' MINIMUM DEPTH AT ALL POINTS  
 1 24CT FIBER CABLE  
 NO OTHER BURIED UTILITIES EXIST  
 INSTALLATION LENGHT IN RW ON THIS SHEET 186 FT  
 TOTAL INSTALLATION LENGHT 18521 FT  
 AERIAL: 6478 FT  
 UG: 12043 FT  
 START 32.700322, -89.832055  
 END 32.720016, -89.800734

MATCH SHEET 23

NO MATCH SHEET



PREPARED BY: 	EXISTING POLE PROPOSED PEDESTAL PROPOSED VAULT WATER VALVE FIBER MARKER GAS MARKER MANHOLE SEWER MANHOLE STORM DRAIN	RIGHT OF WAY LINE IRRIGATION LINE WATER LANE GAS LANE PROPOSED ANCHOR PROPOSED RISER	PROPOSED COAXIAL CABLE PROPOSED FIBER CABLE PROPOSED DIRECTIONAL BORE EXISTING CABLE COUNTY LINE		ENGINEERED FOR: MADISON COUNTY SULPHUR SPRINGS RD TRANSPORT FIBER
	LEGEND: RW - RIGHT OF WAY EOP - EDGE OF PAVEMENT DW - DRIVEWAY POW - PAVED DRIVEWAY	NOTES: BORE HOLE TO BE FILLED SAME DAY VAULT HOLE TO BE FILLED SAME DAY ALL HOLE TO BE TAMPED AND SODDED			NO SCALE SHEET 24 OF 24